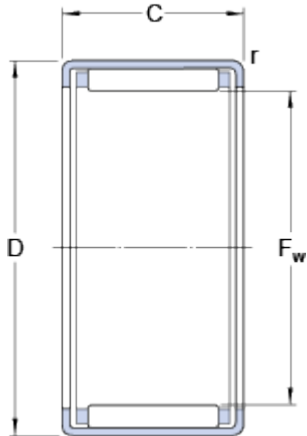


HK 3016

Dimensions



F_w	30	mm
D	37	mm
C	16	mm
r	min. 0.8	mm

Calculation data

Basic dynamic load rating	C	16.5	kN
Basic static load rating	C	29	kN
Fatigue load limit	P_u	3.4	kN
Reference speed		8000	r/min
Limiting speed		9000	r/min

Mass

Mass bearing		0.031	kg
Designation		HK 3016	

Associated products

Inner ring IR series	IR 25x30x17
Inner ring LR series	LR 25x30x16.5
Radial shaft seal with a low cross-sectional height, single lip	G 30x37x4
Radial shaft seal with a low cross-sectional height, double lip	SD 30x37x4