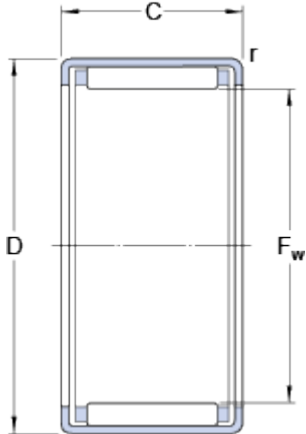


# HK 3012

## Dimensions



F <sub>w</sub>	30	mm
D	37	mm
C	12	mm
r	min. 0.8	mm

## Calculation data

Basic dynamic load rating	C	11.7	kN
Basic static load rating	C	18.3	kN
Fatigue load limit	P <sub>u</sub>	2.12	kN
Reference speed		8000	r/min
Limiting speed		9000	r/min

## Mass

Mass bearing		0.023	kg
Designation		HK 3012	

## Associated products

Inner ring LR series	LR 25x30x12.5
Radial shaft seal with a low cross-sectional height, single lip	<a href="#">G 30x37x4</a>
Radial shaft seal with a low cross-sectional height, double lip	<a href="#">SD 30x37x4</a>