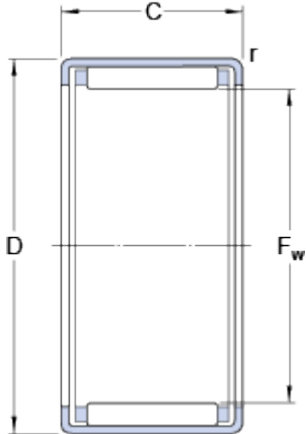


HK 2820

Dimensions



F _w	28	mm
D	35	mm
C	20	mm
r	min. 0.8	mm

Calculation data

Basic dynamic load rating	C	20.1	kN
Basic static load rating	C	36.5	kN
Fatigue load limit	P _u	4.4	kN
Reference speed		9000	r/min
Limiting speed		9500	r/min

Mass

Mass bearing		0.036	kg
Designation		HK 2820	

Associated products

Inner ring IR series		IR 22x28x20.5
Inner ring LR series		LR 22x28x20.5
Radial shaft seal with a low cross-sectional height, single lip		G 28x35x4
Radial shaft seal with a low cross-sectional height, double lip		SD 28x35x4