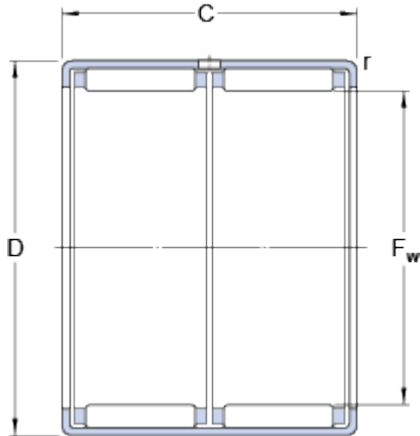


HK 2538

Dimensions



F_w	25	mm
D	32	mm
C	38	mm
r	min. 0.8	mm

Calculation data

Basic dynamic load rating	C	33	kN
Basic static load rating	C	65.5	kN
Fatigue load limit	P_u	8	kN
Reference speed		9500	r/min
Limiting speed		11000	r/min

Mass

Mass bearing		0.064	kg
Designation		HK 2538	

Associated products

Inner ring IR series		IR 20x25x38.5
Inner ring LR series		LR 20x25x38.5
Radial shaft seal with a low cross-sectional height, single lip		G 25x32x4