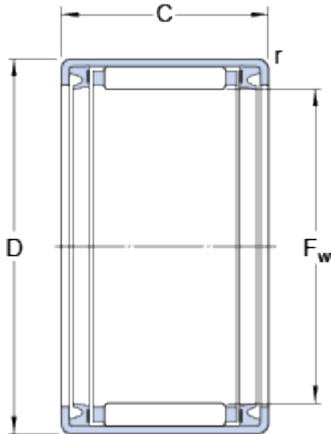


HK 2530.2RS

Dimensions



F_w	25	mm
D	32	mm
C	30	mm
r	min. 0.8	mm

Calculation data

Basic dynamic load rating	C	24.2	kN
Basic static load rating	C	45	kN
Fatigue load limit	P_u	5.5	kN
Limiting speed		6700	r/min

Mass

Mass bearing		0.047	kg
--------------	--	-------	----

Designation HK 2530.2RS

Associated products

Inner ring IR series IR 20x25x30