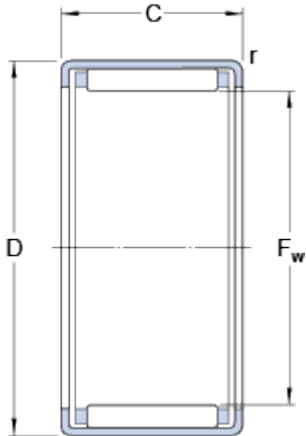


HK 2512

Dimensions



F_w	25	mm
D	32	mm
C	12	mm
r	min. 0.8	mm

Calculation data

Basic dynamic load rating	C	10.5	kN
Basic static load rating	C	15.3	kN
Fatigue load limit	P_u	1.76	kN
Reference speed		9500	r/min
Limiting speed		11000	r/min

Mass

Mass bearing		0.02	kg
Designation		HK 2512	

Associated products

Inner ring LR series	LR 20x25x12.5
Radial shaft seal with a low cross-sectional height, single lip	G 25x32x4