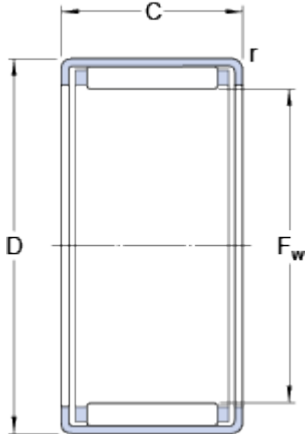


HK 2216

Dimensions



F _w	22	mm
D	28	mm
C	16	mm
r	min. 0.8	mm

Calculation data

Basic dynamic load rating	C	13	kN
Basic static load rating	C	22.4	kN
Fatigue load limit	P _u	2.6	kN
Reference speed		11000	r/min
Limiting speed		12000	r/min

Mass

Mass bearing		0.021	kg
Designation		HK 2216	

Associated products

Inner ring IR series		IR 17x22x23
Radial shaft seal with a low cross-sectional height, single lip		G 22x28x4
Radial shaft seal with a low cross-sectional height, double lip		SD 22x28x4