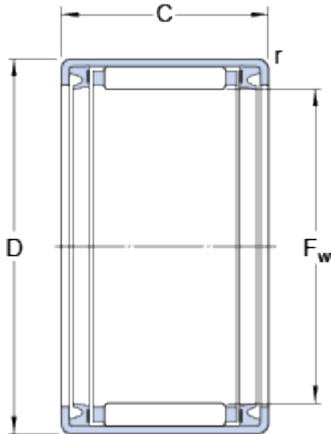


HK 2020.2RS

Dimensions



F_w	20	mm
D	26	mm
C	20	mm
r	min. 0.8	mm

Calculation data

Basic dynamic load rating	C	12.3	kN
Basic static load rating	C	20.4	kN
Fatigue load limit	P_u	2.36	kN
Limiting speed		8000	r/min

Mass

Mass bearing		0.023	kg
--------------	--	-------	----

Designation	HK 2020.2RS
-------------	-------------

Associated products

Inner ring IR series	IR 17x20x20.5
Inner ring LR series	LR 17x20x20.5