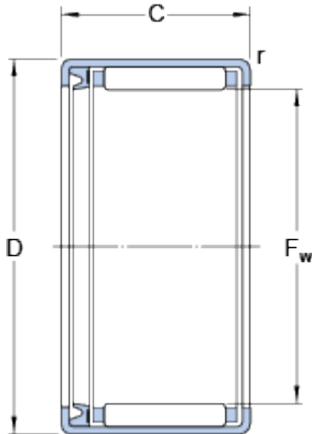


HK 2018 RS

Dimensions



F _w	20	mm
D	26	mm
C	18	mm
r	min. 0.8	mm

Calculation data

Basic dynamic load rating	C	12.3	kN
Basic static load rating	C	20.4	kN
Fatigue load limit	P _u	2.36	kN
Limiting speed		8000	r/min

Mass

Mass bearing		0.021	kg
--------------	--	-------	----

Designation		HK 2018 RS	
-------------	--	------------	--

Associated products

Inner ring IR series		IR 17x20x20.5	
Inner ring LR series		LR 17x20x20.5	