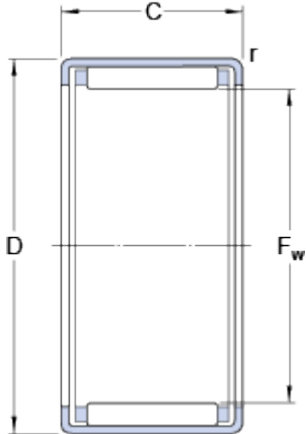


# HK 1816

## Dimensions



$F_w$	18	mm
D	24	mm
C	16	mm
r	min. 0.8	mm

## Calculation data

Basic dynamic load rating	C	11.2	kN
Basic static load rating	C	17.6	kN
Fatigue load limit	$P_u$	2.04	kN
Reference speed		13000	r/min
Limiting speed		15000	r/min

## Mass

Mass bearing		0.018	kg
Designation		HK 1816	

## Associated products

Inner ring IR series	IR 15x18x16.5
Inner ring LR series	<a href="#">LR 15x18x16.5</a>
Radial shaft seal with a low cross-sectional height, single lip	<a href="#">G 18x24x3</a>
Radial shaft seal with a low cross-sectional height, double lip	<a href="#">SD 18x24x3</a>