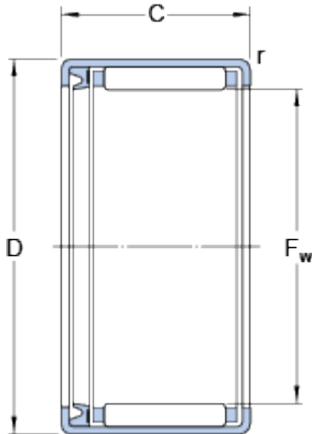


HK 1614 RS

Dimensions



F _w	16	mm
D	22	mm
C	14	mm
r	min. 0.8	mm

Calculation data

Basic dynamic load rating	C	7.37	kN
Basic static load rating	C	9.8	kN
Fatigue load limit	P _u	1.12	kN
Limiting speed		9000	r/min

Mass

Mass bearing		0.013	kg
--------------	--	-------	----

Designation HK 1614 RS

Associated products

Inner ring IR series IR 12x16x20