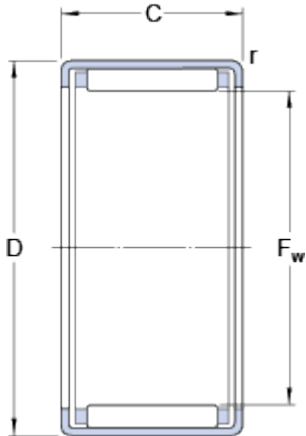


# HK 1612

## Dimensions



F <sub>w</sub>	16	mm
D	22	mm
C	12	mm
r	min. 0.8	mm

## Calculation data

Basic dynamic load rating	C	7.37	kN
Basic static load rating	C	9.8	kN
Fatigue load limit	P <sub>u</sub>	1.12	kN
Reference speed		14000	r/min
Limiting speed		16000	r/min

## Mass

Mass bearing		0.012	kg
Designation		HK 1612	

## Associated products

Inner ring IR series		IR 12x16x13
Radial shaft seal with a low cross-sectional height, single lip		<a href="#">G 16x22x3</a>
Radial shaft seal with a low cross-sectional height, double lip		<a href="#">SD 16x22x3</a>