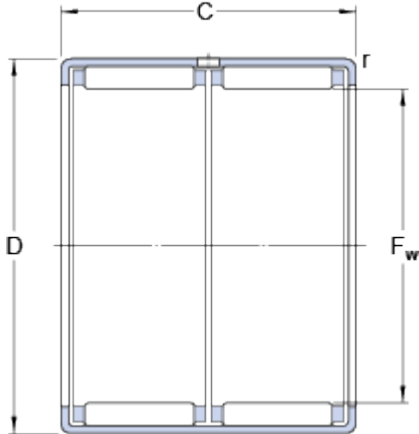


# HK 1522

## Dimensions



F <sub>w</sub>	15	mm
D	21	mm
C	22	mm
r	min. 0.8	mm

## Calculation data

Basic dynamic load rating	C	13	kN
Basic static load rating	C	20	kN
Fatigue load limit	P <sub>u</sub>	2.28	kN
Reference speed		15000	r/min
Limiting speed		16000	r/min

## Mass

Mass bearing		0.02	kg
Designation		HK 1522	

## Associated products

Inner ring IR series	IR 12x15x22.5
Inner ring LR series	LR 12x15x22.5
Radial shaft seal with a low cross-sectional height, single lip	<a href="#">G 15x21x3</a>
Radial shaft seal with a low cross-sectional height, double lip	<a href="#">SD 15x21x3</a>