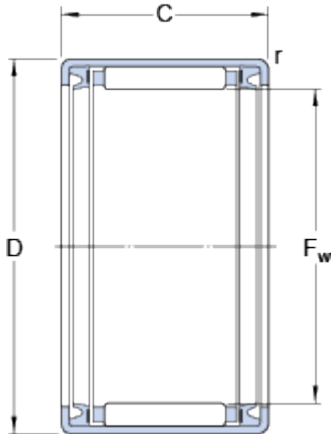


# HK 1416.2RS

## Dimensions



$F_w$	14	mm
D	20	mm
C	16	mm
r	min. 0.8	mm

## Calculation data

Basic dynamic load rating	C	6.82	kN
Basic static load rating	C	8.65	kN
Fatigue load limit	$P_u$	0.98	kN
Limiting speed		9500	r/min

## Mass

Mass bearing		0.013	kg
Designation		HK 1416.2RS	