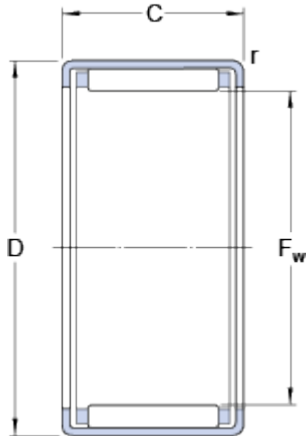


HK 1412

Dimensions



F_w	14	mm
D	20	mm
C	12	mm
r	min. 0.8	mm

Calculation data

Basic dynamic load rating	C	6.82	kN
Basic static load rating	C	8.65	kN
Fatigue load limit	P_u	0.98	kN
Reference speed		15000	r/min
Limiting speed		17000	r/min

Mass

Mass bearing		0.011	kg
Designation		HK 1412	

Associated products

Inner ring IR series		IR 10x14x13
Radial shaft seal with a low cross-sectional height, single lip		G 14x20x3
Radial shaft seal with a low cross-sectional height, double lip		SD 14x20x3