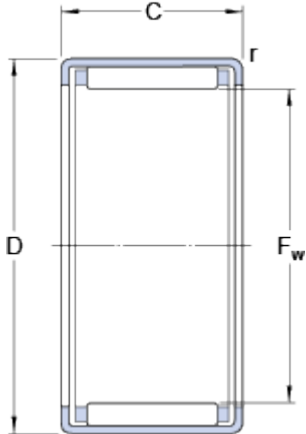


# HK 1012

## Dimensions



F <sub>w</sub>	10	mm
D	14	mm
C	12	mm
r	min. 0.4	mm

## Calculation data

Basic dynamic load rating	C	5.39	kN
Basic static load rating	C	6.95	kN
Fatigue load limit	P <sub>u</sub>	0.78	kN
Reference speed		18000	r/min
Limiting speed		20000	r/min

## Mass

Mass bearing	0.0048	kg
Designation	HK 1012	

## Associated products

Inner ring IR series	IR 7x10x12
Radial shaft seal with a low cross-sectional height, single lip	<a href="#">G 10x14x3</a>