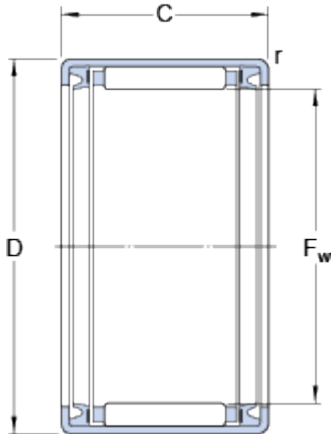


HK 0812.2RS

Dimensions



| | | |
|-------|----------|----|
| F_w | 8 | mm |
| D | 12 | mm |
| C | 12 | mm |
| r | min. 0.4 | mm |

Calculation data

| | | | |
|---------------------------|-------|-------|-------|
| Basic dynamic load rating | C | 2.7 | kN |
| Basic static load rating | C | 2.75 | kN |
| Fatigue load limit | P_u | 0.285 | kN |
| Limiting speed | | 13000 | r/min |

Mass

| | | | |
|--------------|--|-------------|----|
| Mass bearing | | 0.0033 | kg |
| Designation | | HK 0812.2RS | |