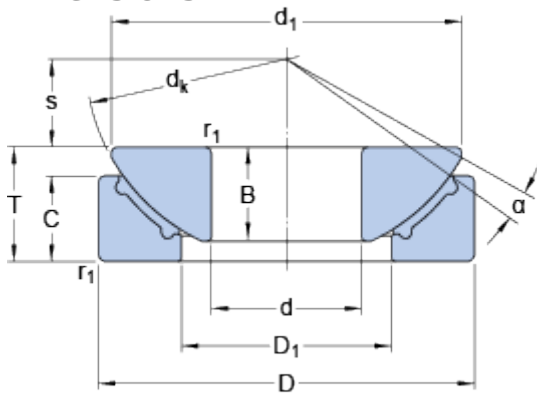


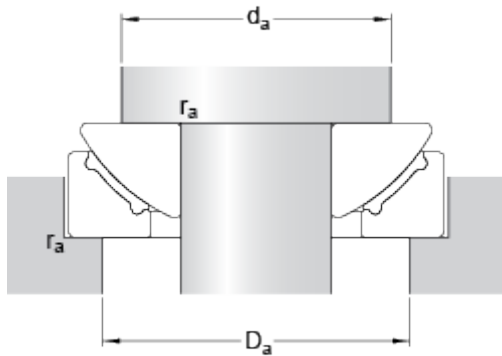
GX 40 F

Dimensions



d	40	mm
D	105	mm
T	32	mm
α	6	°
d_k	114	mm
d_1	97	mm
D_1	59	mm
B	27	mm
C	21.5	mm
r_1	min. 1	mm
s	24.5	mm

Abutment dimensions



d_a	min.	78	mm
D_a	max.	84	mm
r_a	max.	1	mm

Calculation data

Basic dynamic load rating - axial direction	C	173	kN
Basic static load rating - axial direction	C	275	kN
Specific dynamic load factor	K	50	N/mm ²
Specific static load factor	K	80	N/mm ²
Material constant	K_M	670	

Mass

Mass plain bearing		1.5	kg
--------------------	--	-----	----