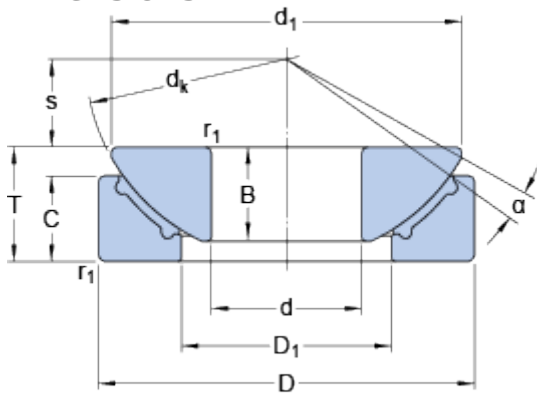


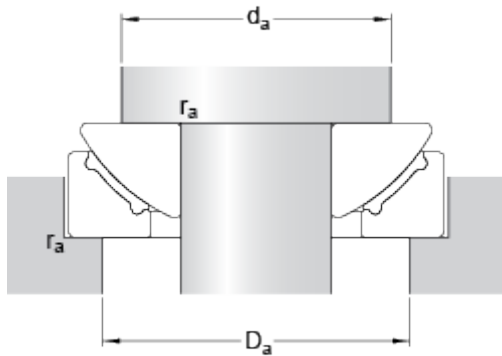
# GX 17 F

## Dimensions



$d$	17	mm
$D$	47	mm
$T$	16	mm
$\alpha$	5	°
$d_k$	52	mm
$d_1$	43.5	mm
$D_1$	27	mm
$B$	11.8	mm
$C$	11.2	mm
$r_1$	min. 0.6	mm
$s$	11	mm

## Abutment dimensions



$d_a$	min.	34	mm
$D_a$	max.	37	mm
$r_a$	max.	0.6	mm

## Calculation data

Basic dynamic load rating - axial direction	C	36.5	kN
Basic static load rating - axial direction	C	58.5	kN
Specific dynamic load factor	K	50	N/mm <sup>2</sup>
Specific static load factor	K	80	N/mm <sup>2</sup>
Material constant	$K_M$	670	

## Mass

Mass plain bearing	0.14	kg
--------------------	------	----