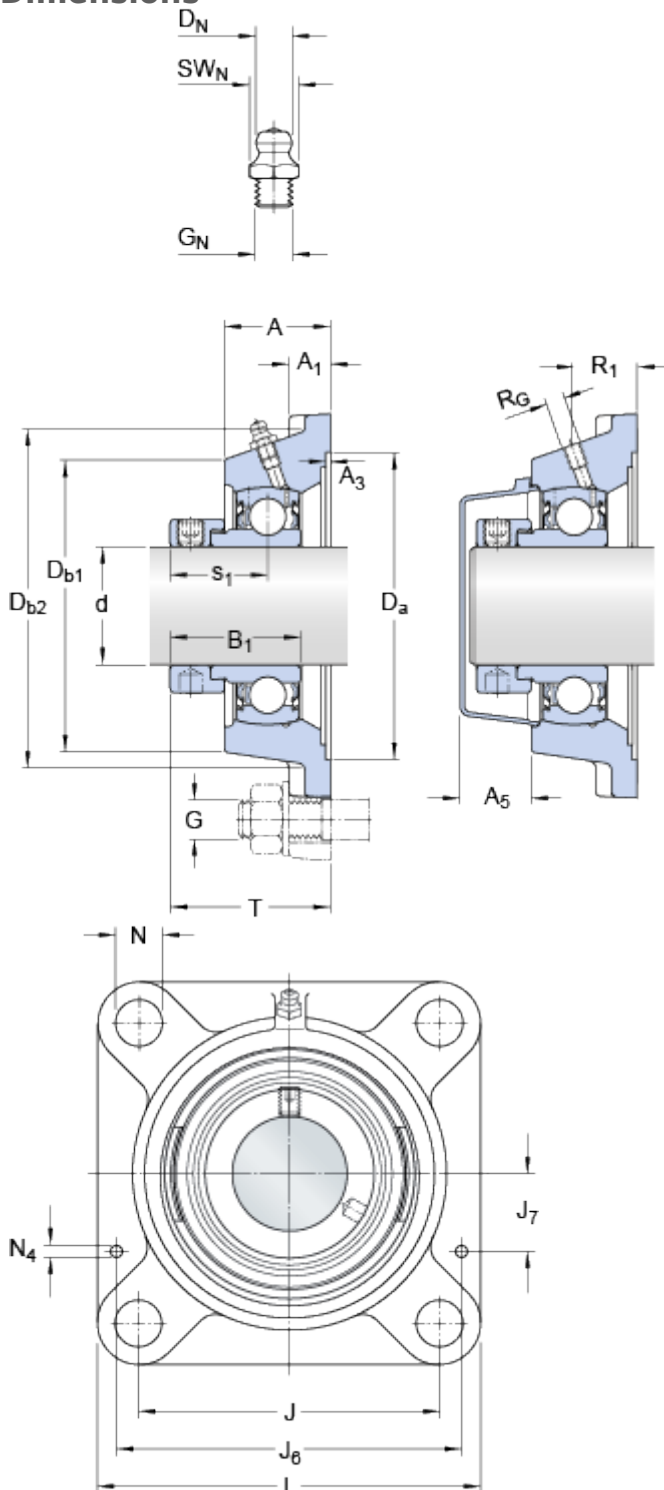


# FY 60 FM

Housing material

Cast iron

## Dimensions



d	60	mm
D <sub>a</sub>	H11 161.9	mm
D <sub>b1</sub>	130	mm
D <sub>b2</sub>	143	mm
A	52	mm
A <sub>1</sub>	17	mm
A <sub>3</sub>	H14 3.2	mm
A <sub>5</sub>	35.5	mm
B <sub>1</sub>	53.1	mm
J	143	mm
L	175	mm
N	18	mm
S <sub>1</sub>	40.1	mm
T	74.1	mm

### Threaded hole

R <sub>G</sub>	1/4-28 UNF
R <sub>1</sub>	34.5 mm

### Grease fitting

D <sub>N</sub>	6.5	mm
SW <sub>N</sub>	7	mm
G <sub>N</sub>	1/4-28 SAE-LT	

### Dowel pins

J <sub>6</sub>	161	mm
J <sub>7</sub>	49.5	mm
N <sub>4</sub>	4	mm

## Calculation data

Basic dynamic load rating	C	52.7	kN
Basic static load rating	C	36	kN
Fatigue load limit	P <sub>u</sub>	1.53	kN
Limiting speed		3400	r/min

(with shaft tolerance h6)

## Mass

---

Mass bearing unit	3.8	kg
-------------------	-----	----

## Mounting information

---

Thread grub screw	G <sub>2</sub>	M10x1
Hexagonal key size for grub screw	N	5 mm
Recommended tightening torque for grub screw		16.5 N·m
Recommended diameter for attachment bolts, mm	G	16 mm
Recommended diameter for attachment bolts, inch	G	0.625 in

## Included products

---

Housing	<a href="#">FY 512 M</a>
Bearing	<a href="#">YET 212</a>

## Associated products

---

End cover	<a href="#">ECY 212</a>
-----------	-------------------------