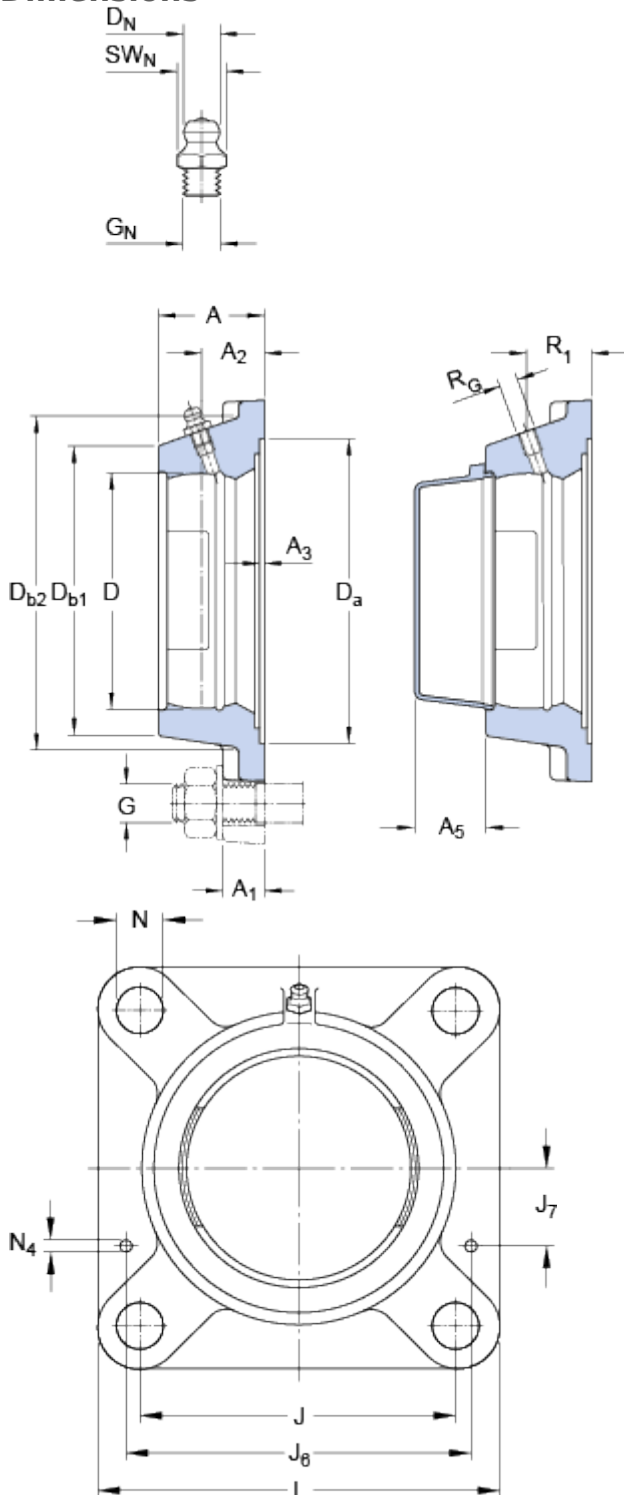


# FY 513 M

Material

Cast iron

## Dimensions



D		120	mm
D <sub>a</sub>	H11	161.9	mm
D <sub>b1</sub>		142	mm
D <sub>b2</sub>		154	mm
A		52.5	mm
A <sub>1</sub>		17	mm
A <sub>2</sub>		34	mm
A <sub>3</sub>	H14	3.2	mm
A <sub>5</sub>		35.5	mm
J		149.5	mm
L		187	mm
N		18	mm

### Threaded hole

R<sub>G</sub> 1/4-28 UNF

R<sub>1</sub> 34.5 mm

### Grease fitting

D<sub>N</sub> 6.5 mm

SW<sub>N</sub> 7 mm

G<sub>N</sub> 1/4-28 SAE-LT

### Dowel pins

J<sub>6</sub> 169 mm

J<sub>7</sub> 51 mm

N<sub>4</sub> 4 mm

## Mass

Mass housing 3 kg

## Mounting information

Recommended diameter for attachment bolts, mm G 16 mm

Recommended diameter for attachment bolts, inch G 0.625 in

## Appropriate products

End cover

ECY 213

