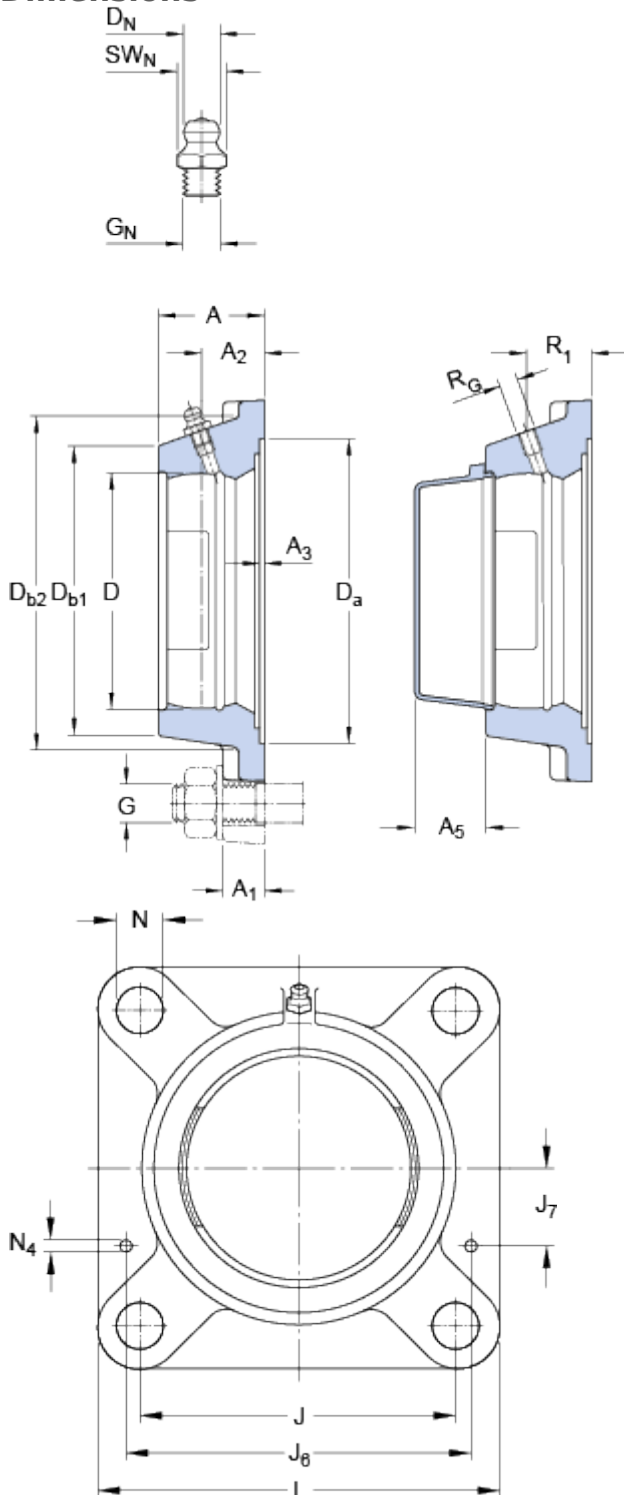


FY 511 M

Material

Cast iron

Dimensions



D		100	mm
D _a	H11	150.8	mm
D _{b1}		122	mm
D _{b2}		134	mm
A		47.5	mm
A ₁		16	mm
A ₂		31	mm
A ₃	H14	3.2	mm
A ₅		34	mm
J		130	mm
L		162	mm
N		18	mm

Threaded hole

R_G 1/4-28 UNF

R₁ 32 mm

Grease fitting

D_N 6.5 mm

SW_N 7 mm

G_N 1/4-28 SAE-LT

Dowel pins

J₆ 148 mm

J₇ 45 mm

N₄ 4 mm

Mass

Mass housing 2.25 kg

Mounting information

Recommended diameter for attachment bolts, mm G 16 mm

Recommended diameter for attachment bolts, inch G 0.625 in

Appropriate products

End cover

[ECY 211](#)

