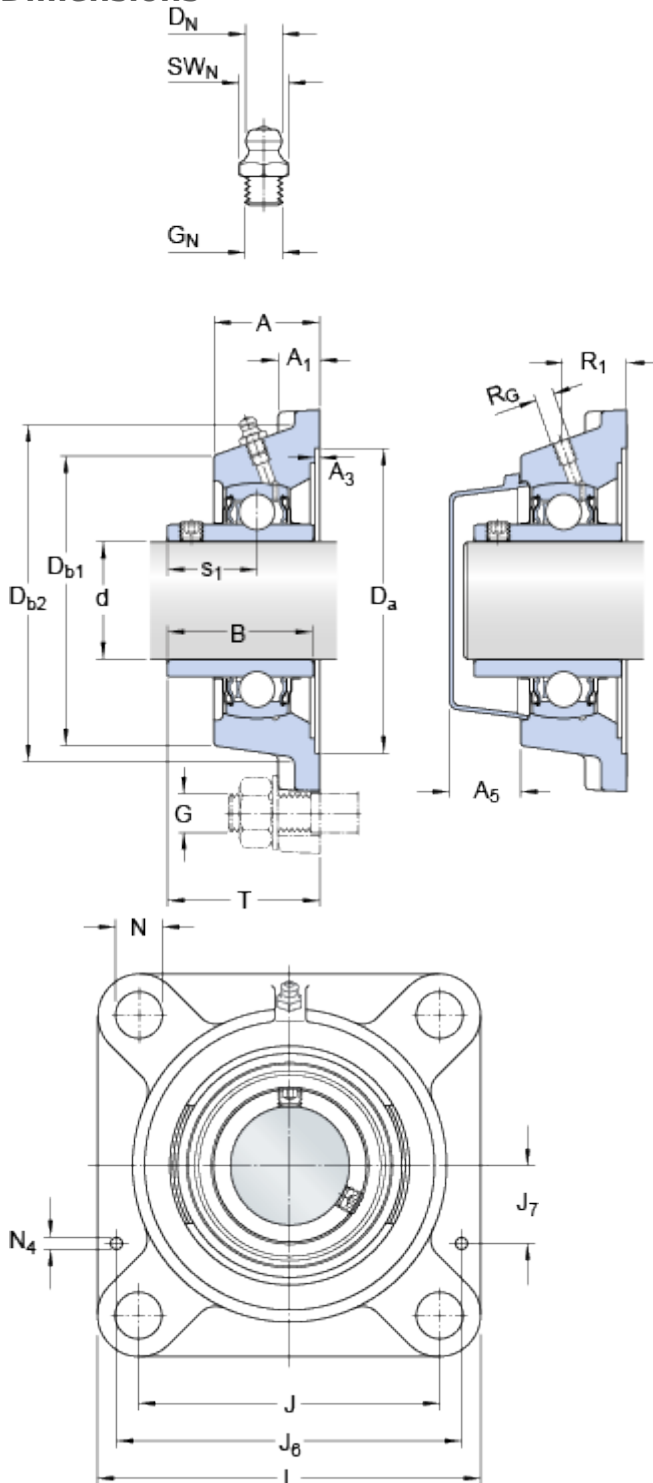


FY 50 TF

Housing material

Cast iron

Dimensions



| | | | |
|-----------------|------|-------|----|
| d | 50 | mm | |
| D _a | H11 | 125.4 | mm |
| D _{b1} | 107 | mm | |
| D _{b2} | 118 | mm | |
| A | 43 | mm | |
| A ₁ | 15 | mm | |
| A ₃ | H14 | 3.2 | mm |
| A ₅ | 29.5 | mm | |
| B | 51.6 | mm | |
| J | 111 | mm | |
| L | 143 | mm | |
| N | 18 | mm | |
| s ₁ | 32.6 | mm | |
| T | 60.6 | mm | |

Threaded hole

R_G 1/4-28 UNF

R₁ 28.5 mm

Grease fitting

D_N 6.5 mm

SW_N 7 mm

G_N 1/4-28 SAE-LT

Dowel pins

J₆ 129 mm

J₇ 35.5 mm

N₄ 4 mm

Calculation data

| | | | |
|---------------------------|----------------|------|-------|
| Basic dynamic load rating | C | 35.1 | kN |
| Basic static load rating | C | 23.2 | kN |
| Fatigue load limit | P _u | 0.98 | kN |
| Limiting speed | | 4000 | r/min |
| (with shaft tolerance h6) | | | |

Mass

| | | |
|-------------------|-----|----|
| Mass bearing unit | 2.2 | kg |
|-------------------|-----|----|

Mounting information

| | | |
|---|----------------|----------|
| Thread grub screw | G ₂ | M10x1 |
| Hexagonal key size for grub screw | N | 5 mm |
| Recommended tightening torque for grub screw | | 16.5 N·m |
| Recommended diameter for attachment bolts, mm | G | 16 mm |
| Recommended diameter for attachment bolts, inch | G | 0.625 in |

Included products

| | |
|---------|----------------------------|
| Housing | FY 510 M |
| Bearing | YAR 210-2F |

Associated products

| | |
|-----------|-------------------------|
| End cover | ECY 210 |
|-----------|-------------------------|