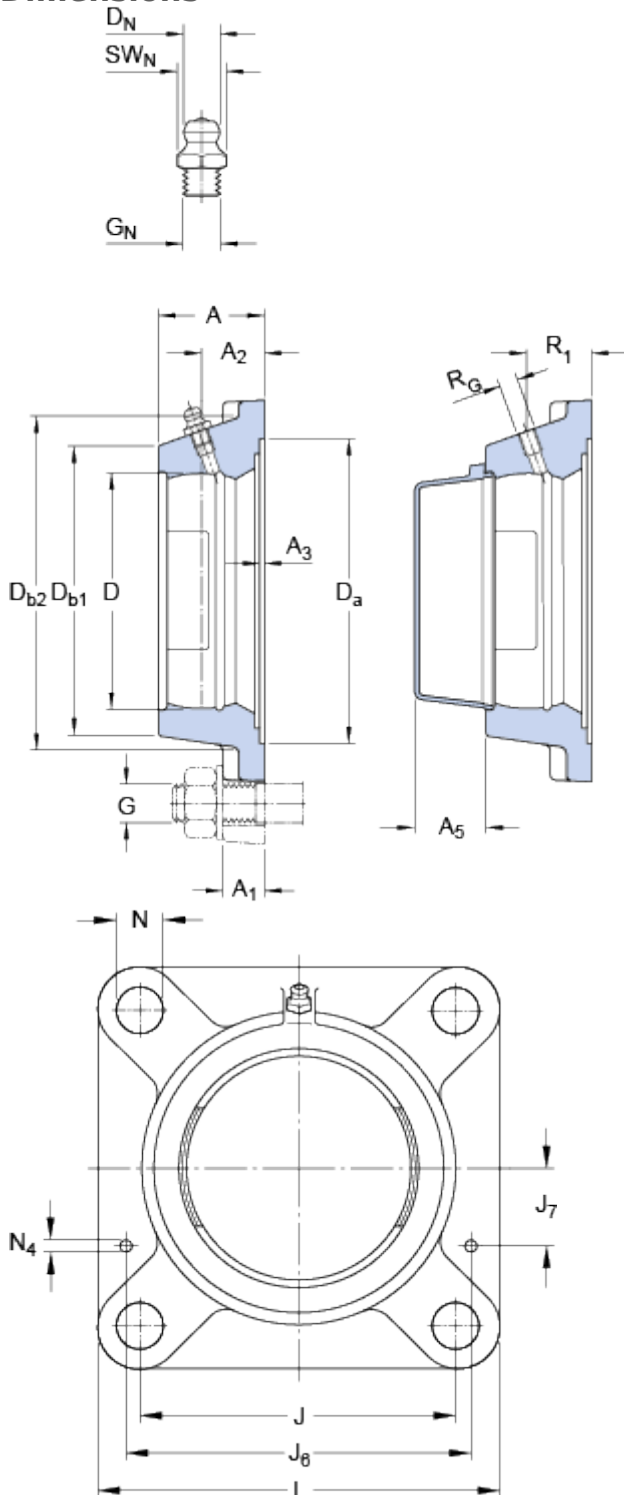


FY 508 M

Material

Cast iron

Dimensions



D		80	mm
D _a	H11	115.9	mm
D _{b1}		98	mm
D _{b2}		106	mm
A		38.5	mm
A ₁		14	mm
A ₂		24	mm
A ₃	H14	3.2	mm
A ₅		23.5	mm
J		101.5	mm
L		130	mm
N		14	mm

Threaded hole

R_G 1/4-28 UNF

R₁ 25.5 mm

Grease fitting

D_N 6.5 mm

SW_N 7 mm

G_N 1/4-28 SAE-LT

Dowel pins

J₆ 118 mm

J₇ 34 mm

N₄ 4 mm

Mass

Mass housing

1.2

kg

Mounting information

Recommended diameter for attachment bolts, mm

G

12

mm

Recommended diameter for attachment bolts, inch

G

0.5

in

Appropriate products

End cover

ECY 208

