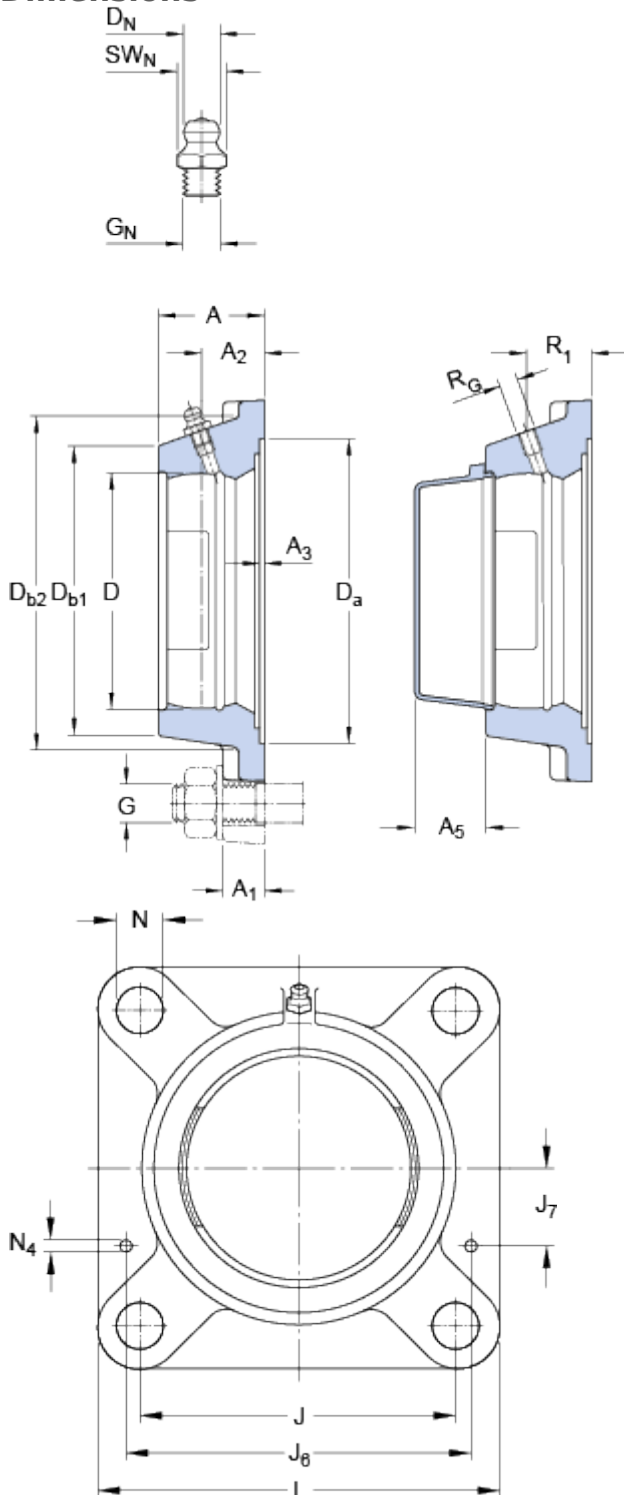


FY 504 M

Material

Cast iron

Dimensions



D		47	mm
D _a	H11	68.3	mm
D _{b1}		57	mm
D _{b2}		63	mm
A		29.5	mm
A ₁		11	mm
A ₂		19	mm
A ₃	H14	3.2	mm
A ₅		18.5	mm
J		63.5	mm
L		86	mm
N		11.5	mm

Threaded hole

R_G 1/4-28 UNF

R₁ 20.5 mm

Grease fitting

D_N 6.5 mm

SW_N 7 mm

G_N 1/4-28 SAE-LT

Dowel pins

J₆ 74 mm

J₇ 16 mm

N₄ 4 mm

Mass

Mass housing 0.38 kg

Mounting information

Recommended diameter for attachment bolts, mm G 10 mm

Recommended diameter for attachment bolts, inch G 0.375 in

Appropriate products

End cover

[ECY 204](#)

