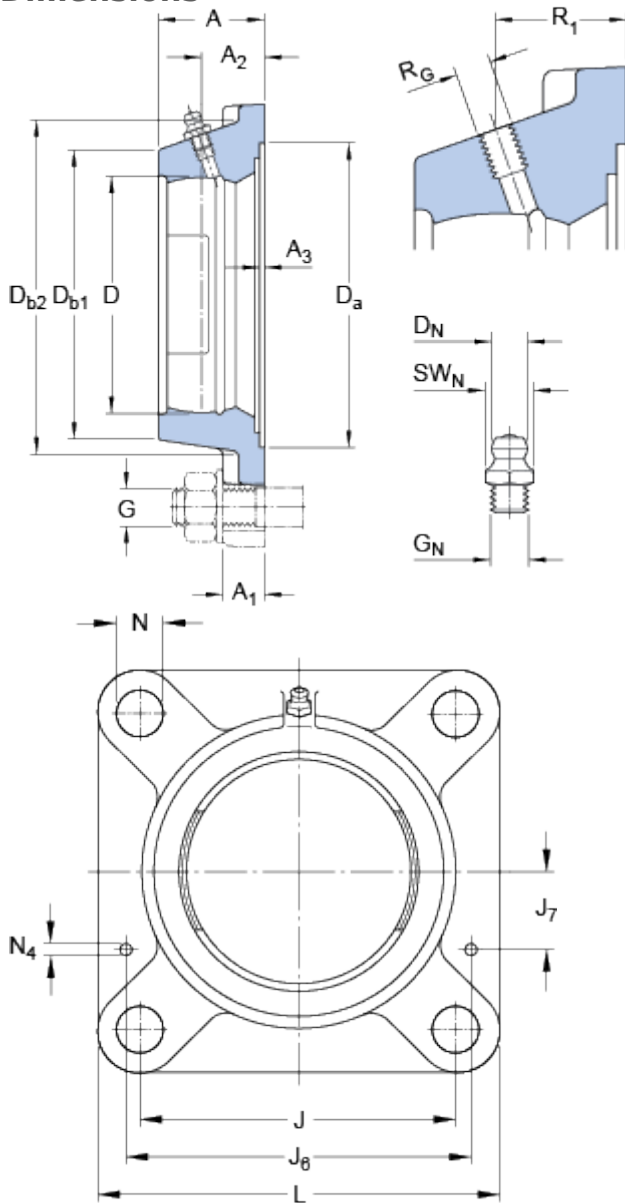


# FY 503 M

## Dimensions



D		40	mm
D <sub>a</sub>	H11	55.6	mm
D <sub>b1</sub>		50	mm
D <sub>b2</sub>		53	mm
A		26	mm
A <sub>1</sub>		11	mm
A <sub>2</sub>		17	mm
A <sub>3</sub>	H14	3.2	mm
J		54	mm
L		76	mm
N		11.5	mm

### Threaded hole

R <sub>G</sub>		1/4-28 UNF	
R <sub>1</sub>		19	mm

### Grease fitting

D <sub>N</sub>		6.5	mm
SW <sub>N</sub>		7	mm
G <sub>N</sub>		1/4-28 SAE-LT	

### Dowel pins

J <sub>6</sub>		66	mm
J <sub>7</sub>		14.5	mm
N <sub>4</sub>		4	mm

## Mass

Mass housing	0.28	kg
--------------	------	----

## Mounting information

Recommended diameter for attachment bolts, mm	G	10	mm
Recommended diameter for attachment bolts, inch	G	0.375	in