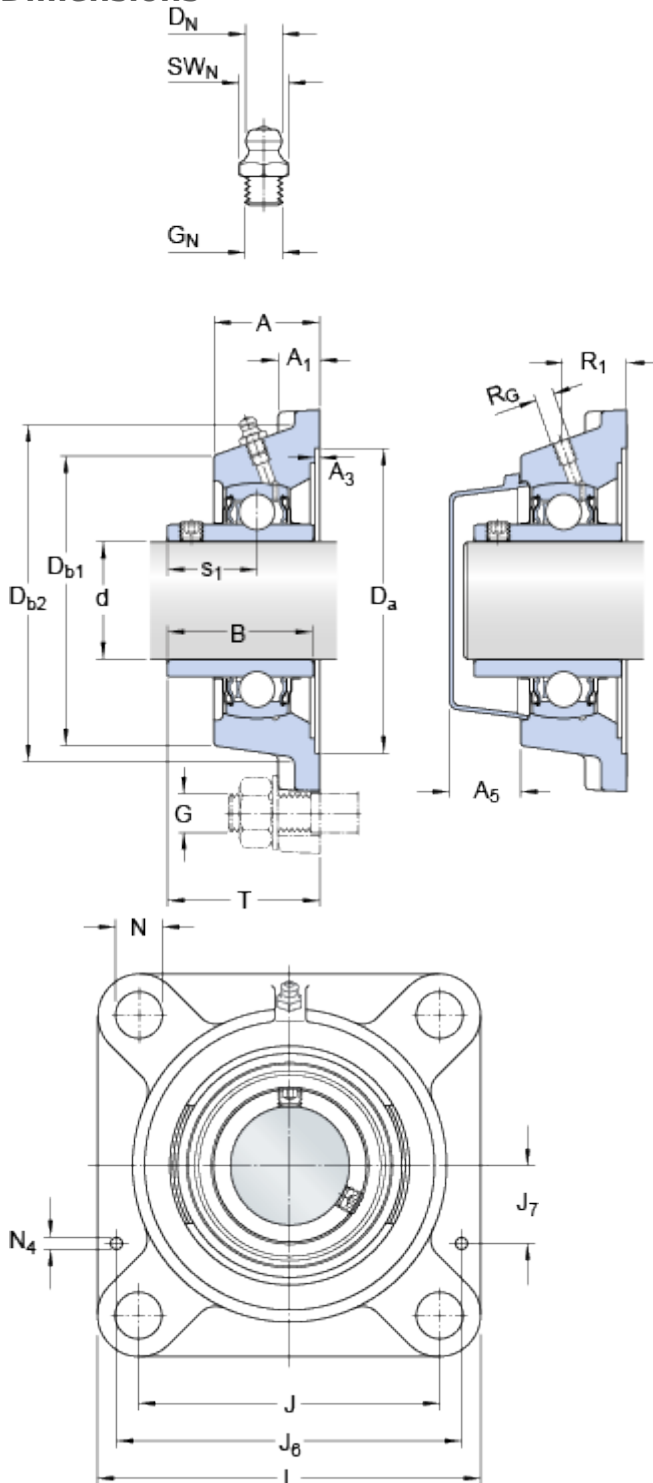


# FY 40 TF

Housing material

Cast iron

## Dimensions



d		40	mm
D <sub>a</sub>	H11	115.9	mm
D <sub>b1</sub>		98	mm
D <sub>b2</sub>		106	mm
A		38.5	mm
A <sub>1</sub>		14	mm
A <sub>3</sub>	H14	3.2	mm
A <sub>5</sub>		23.5	mm
B		49.2	mm
J		101.5	mm
L		130	mm
N		14	mm
s <sub>1</sub>		30.2	mm
T		54.2	mm

### Threaded hole

R<sub>G</sub> 1/4-28 UNF

R<sub>1</sub> 25.5 mm

### Grease fitting

D<sub>N</sub> 6.5 mm

SW<sub>N</sub> 7 mm

G<sub>N</sub> 1/4-28 SAE-LT

### Dowel pins

J<sub>6</sub> 118 mm

J<sub>7</sub> 34 mm

N<sub>4</sub> 4 mm

## Calculation data

Basic dynamic load rating

C 30.7 kN

Basic static load rating

C 19 kN

Fatigue load limit

P<sub>u</sub> 0.8 kN

Limiting speed

4800 r/min

(with shaft tolerance h6)

## Mass

---

Mass bearing unit	1.75	kg
-------------------	------	----

## Mounting information

---

Thread grub screw	G <sub>2</sub>	M8x1
Hexagonal key size for grub screw	N	4 mm
Recommended tightening torque for grub screw		6.5 N·m
Recommended diameter for attachment bolts, mm	G	12 mm
Recommended diameter for attachment bolts, inch	G	0.5 in

## Included products

---

Housing	<a href="#">FY 508 M</a>
Bearing	<a href="#">YAR 208-2F</a>

## Associated products

---

End cover	<a href="#">ECY 208</a>
-----------	-------------------------