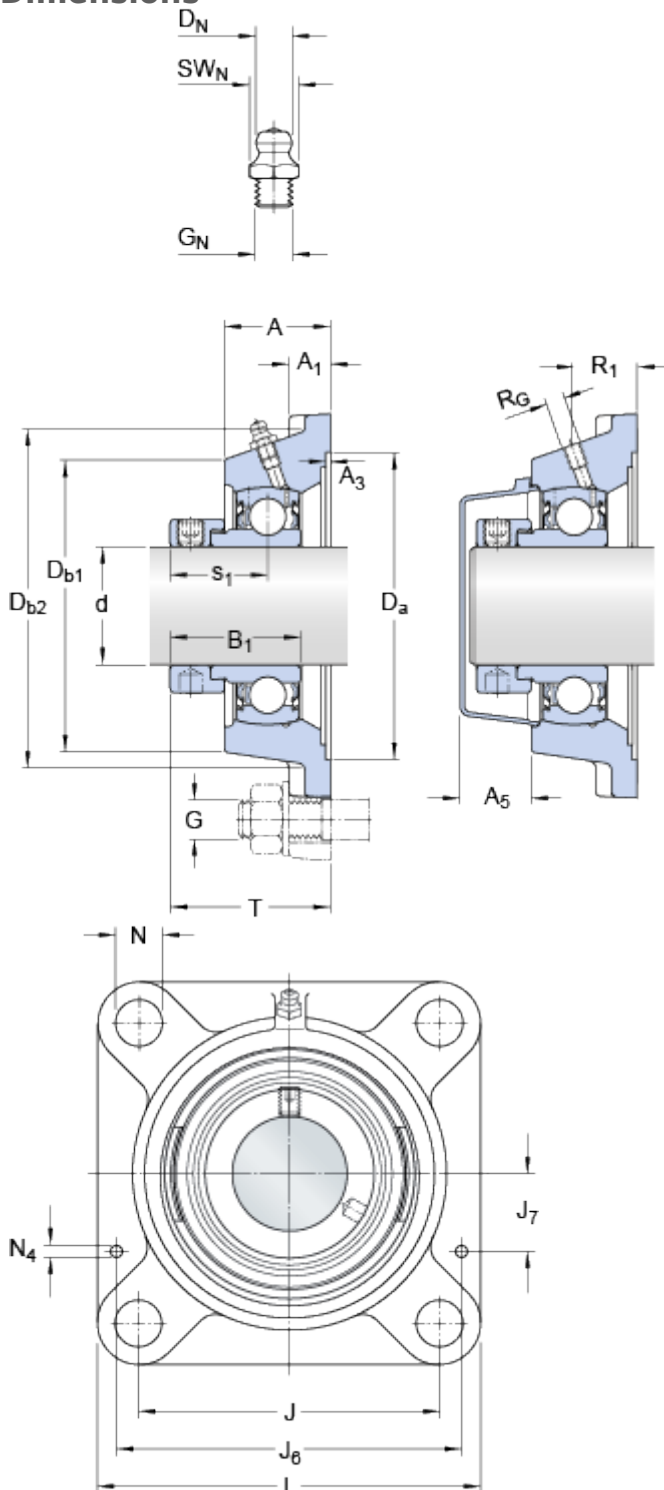


# FY 20 FM

Housing material

Cast iron

## Dimensions



d	20	mm
D <sub>a</sub>	H11 68.3	mm
D <sub>b1</sub>	57	mm
D <sub>b2</sub>	63	mm
A	29.5	mm
A <sub>1</sub>	11	mm
A <sub>3</sub>	H14 3.2	mm
A <sub>5</sub>	18.5	mm
B <sub>1</sub>	31	mm
J	63.5	mm
L	86	mm
N	11.5	mm
S <sub>1</sub>	24	mm
T	43	mm

### Threaded hole

R <sub>G</sub>	1/4-28 UNF
R <sub>1</sub>	20.5 mm

### Grease fitting

D <sub>N</sub>	6.5	mm
SW <sub>N</sub>	7	mm
G <sub>N</sub>	1/4-28 SAE-LT	

### Dowel pins

J <sub>6</sub>	74	mm
J <sub>7</sub>	16	mm
N <sub>4</sub>	4	mm

## Calculation data

Basic dynamic load rating	C	12.7	kN
Basic static load rating	C	6.55	kN
Fatigue load limit	P <sub>u</sub>	0.28	kN
Limiting speed		8500	r/min

(with shaft tolerance h6)

## Mass

---

Mass bearing unit	0.56	kg
-------------------	------	----

## Mounting information

---

Thread grub screw	G <sub>2</sub>	M6x0.75
Hexagonal key size for grub screw	N	3 mm
Recommended tightening torque for grub screw		4 N·m
Recommended diameter for attachment bolts, mm	G	10 mm
Recommended diameter for attachment bolts, inch	G	0.375 in

## Included products

---

Housing	<a href="#">FY 504 M</a>
Bearing	<a href="#">YET 204</a>

## Assosiated products

---

End cover	<a href="#">ECY 204</a>
-----------	-------------------------