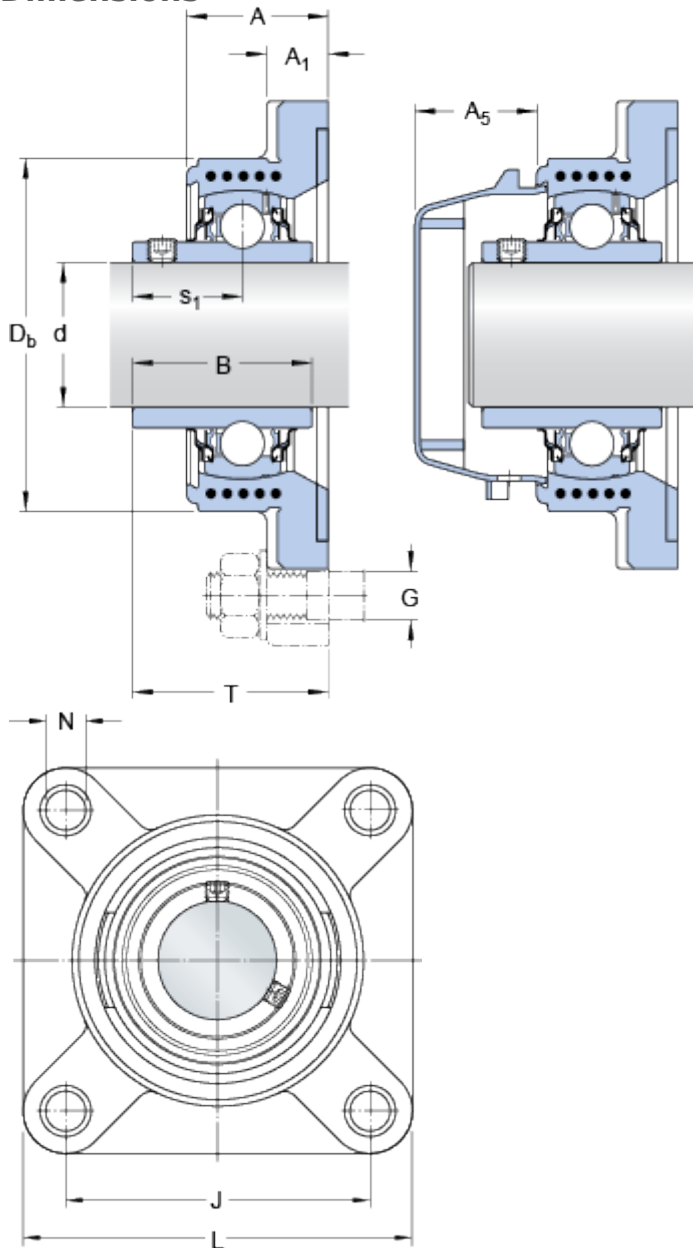


FYWK 20 YTH

Housing material

Composite for food and beverage

Dimensions



d	20	mm
D_b	59	mm
A	30	mm
A_1	15	mm
A_5	26	mm
B	31	mm
J	63.5	mm
L	86	mm
N	12.3	mm
s_1	18.3	mm
T	37.3	mm

Calculation data

Basic dynamic load rating	C	10.8	kN
Basic static load rating	C	6.55	kN
Fatigue load limit	P_u	0.28	kN
Limiting speed		5000	r/min

(with shaft tolerance h6)

Mass

Mass bearing unit		0.3	kg
-------------------	--	-----	----

Mounting information

Thread grub screw	G_2	M6x0.75	
Hexagonal key size for grub screw	N	3	mm

Recommended tightening torque for grub screw		4	N·m
Recommended diameter for attachment bolts, mm	G	10	mm
Recommended diameter for attachment bolts, inch	G	0.375	in

Included products

Housing	FYWK 504 Y
Bearing	YAR 204-2RF/HV

Assosiated products

End cover	ECW 204
-----------	-------------------------