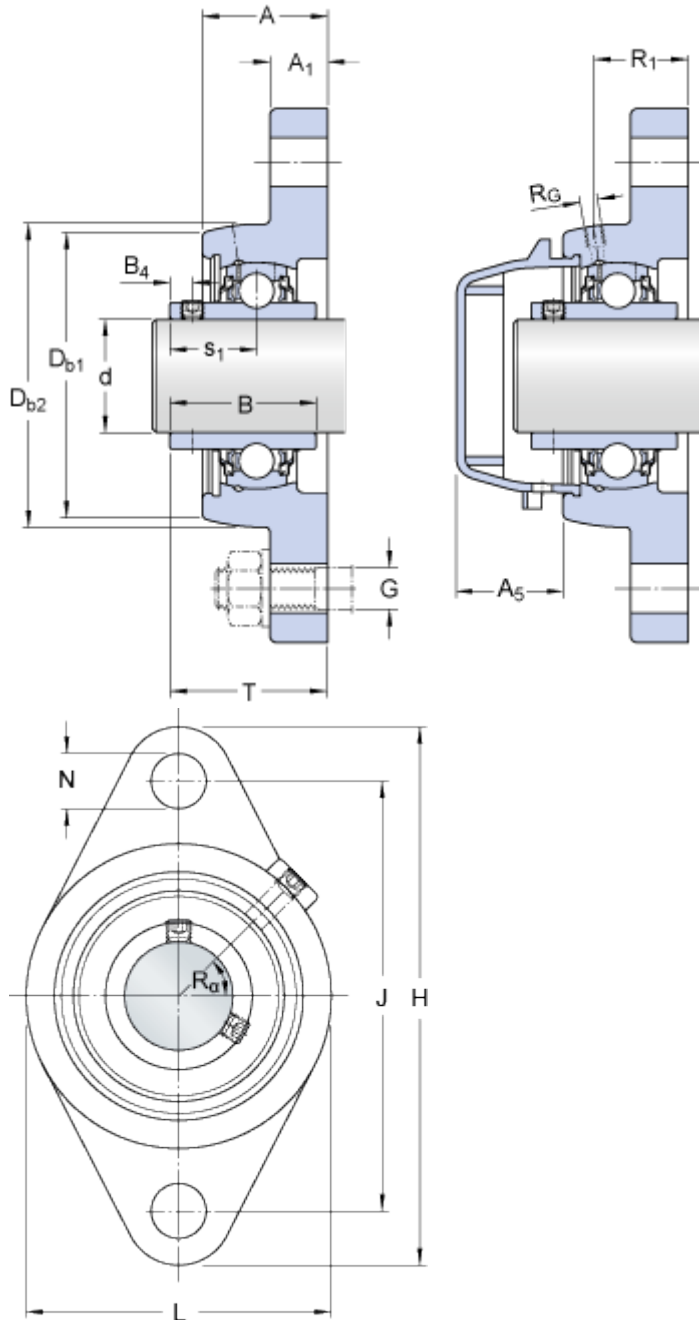


FYWR 40 YTHR

Housing material

Stainless steel

Dimensions



d	40	mm
D_{b1}	96.5	mm
D_{b2}	101.6	mm
A	38.9	mm
A_1	14.3	mm
A_5	31.5	mm
B	49.2	mm
B_4	10	mm
J	143.7	mm
H	171.5	mm
L	101.6	mm
N	14.3	mm
s_1	30.2	mm
T	53.2	mm

Threaded hole

R_G	1/4-28 UNF	
R_1	26.7	mm
R_α	45	°

Calculation data

Basic dynamic load rating	C	26	kN
Basic static load rating	C	19	kN
Fatigue load limit	P_u	0.8	kN
Limiting speed		2800	r/min

(with shaft tolerance h6)

Mass

Mass bearing unit		1.75	kg
-------------------	--	------	----

Mounting information

Thread grub screw	G ₂	M8x1	
Hexagonal key size for grub screw	N	4	mm
Recommended tightening torque for grub screw		6.5	N·m
Recommended diameter for attachment bolts, mm	G	12	mm
Recommended diameter for attachment bolts, inch	G	0.5	in

Included products

Housing	FYTWR 508 Y
Bearing	YAR 208-2RFGR/HV

Assosiated products

End cover	ECW 208
-----------	-------------------------