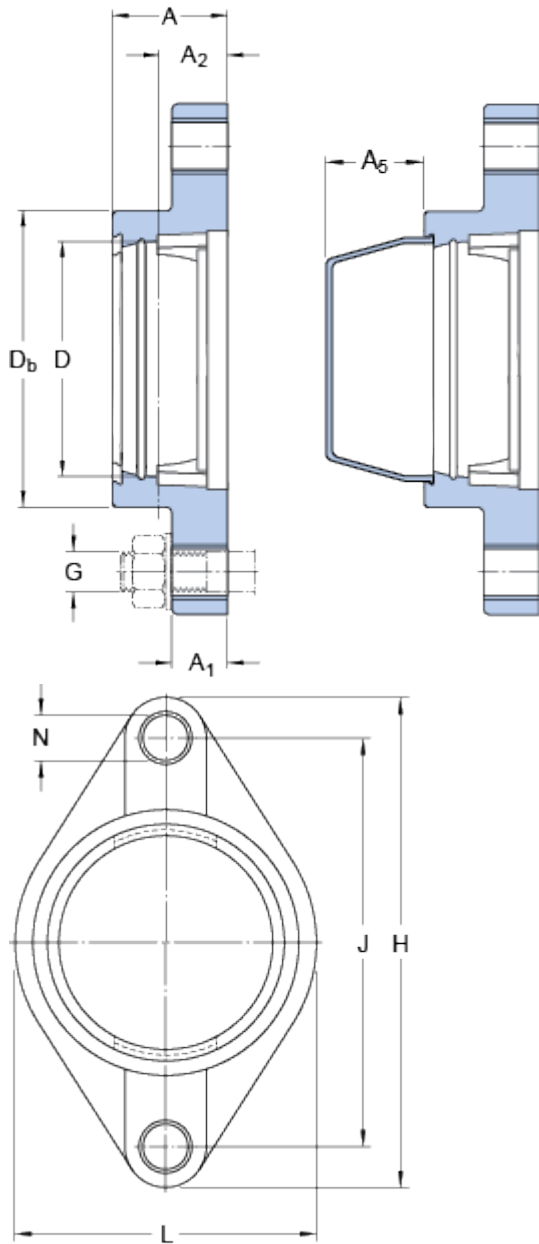


FYTWK 508 L

Dimensions



D	80	mm
D _b	100	mm
A	37.5	mm
A ₁	20	mm
A ₂	22	mm
A ₅	33.5	mm
J	144	mm
H	175	mm
L	100	mm
N	14	mm

Mass

Mass housing	0.25	kg
--------------	------	----

Mounting information

Recommended diameter for attachment bolts, mm	G	12	mm
Recommended diameter for attachment bolts, inch	G	0.5	in

Appropriate products

End cover	ECL 208
-----------	-------------------------

