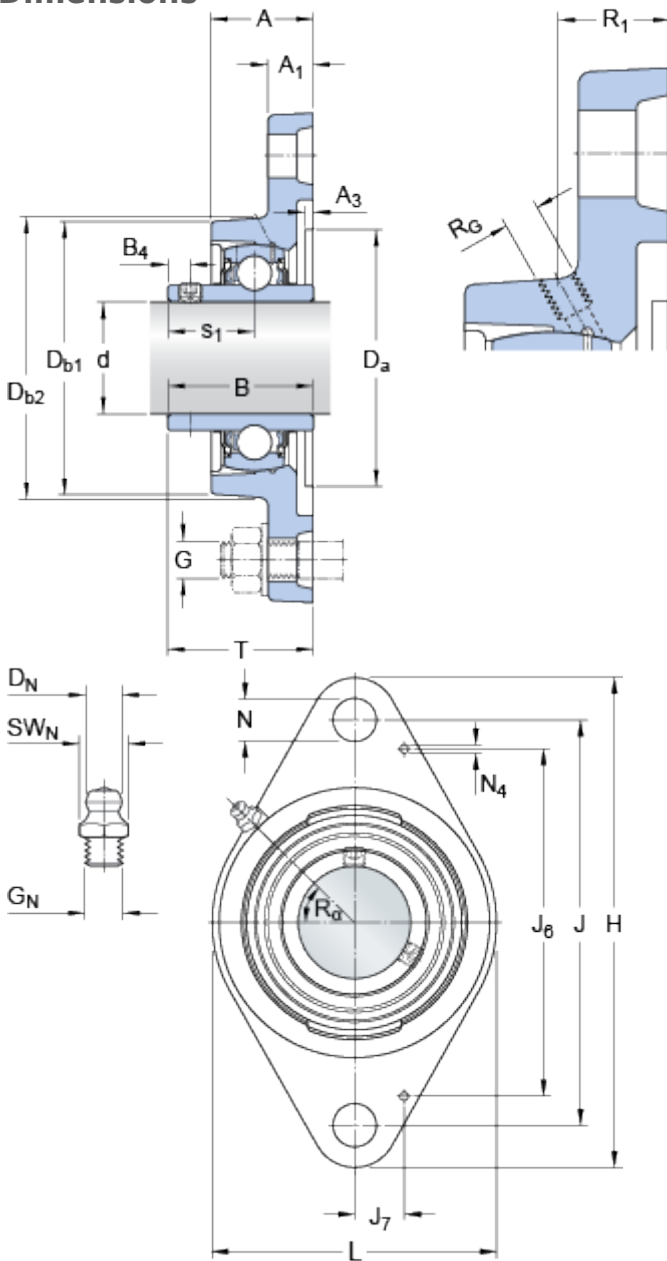


# FYTJ 45 TF

Housing material

Cast iron

## Dimensions



d		45	mm
D <sub>a</sub>	H11	98.4	mm
D <sub>b1</sub>		102	mm
D <sub>b2</sub>		108	mm
A		38	mm
A <sub>1</sub>		18	mm
A <sub>3</sub>	H14	3.2	mm
B		49.2	mm
B <sub>4</sub>		8	mm
J		148	mm
H		188	mm
L		108	mm
N		19	mm
s <sub>1</sub>		30.2	mm
T		52.2	mm

### Threaded hole

R <sub>G</sub>		1/4-28 UNF	
R <sub>1</sub>		23	mm
R <sub>α</sub>		45	°

### Grease fitting

D <sub>N</sub>		6.5	mm
SW <sub>N</sub>		7	mm
G <sub>N</sub>		1/4-28 SAE-LT	

### Dowel pins

J <sub>6</sub>		120	mm
J <sub>7</sub>		18	mm
N <sub>4</sub>		2	mm

## Calculation data

Basic dynamic load rating	C	33.2	kN
Basic static load rating	C	21.6	kN
Fatigue load limit	P <sub>u</sub>	0.915	kN
Limiting speed		4300	r/min

(with shaft tolerance h6)

## Mass

---

Mass bearing unit	1.8	kg
-------------------	-----	----

## Mounting information

---

Thread grub screw	G <sub>2</sub>	M8x1	
Hexagonal key size for grub screw	N	4	mm
Recommended tightening torque for grub screw		6.5	N·m
Recommended diameter for attachment bolts, mm	G	16	mm
Recommended diameter for attachment bolts, inch	G	0.625	in

## Included products

---

Housing	<a href="#">FYTJ 509</a>
Bearing	<a href="#">YAR 209-2F</a>