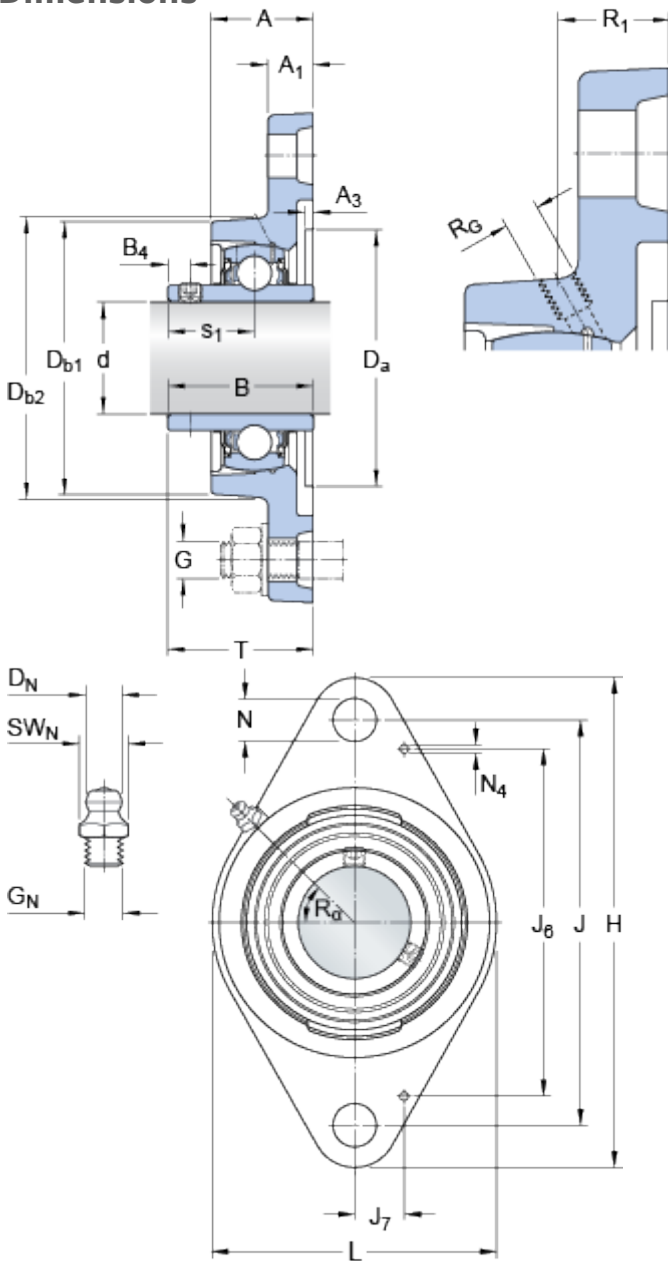


FYTJ 40 TF

Housing material

Cast iron

Dimensions



d	40	mm	
D _a	H11	88.9	mm
D _{b1}	97	mm	
D _{b2}	100	mm	
A	36	mm	
A ₁	16	mm	
A ₃	H14	3.2	mm
B	49.2	mm	
B ₄	8	mm	
J	144	mm	
H	175	mm	
L	100	mm	
N	16	mm	
s ₁	30.2	mm	
T	51.2	mm	

Threaded hole

R _G	1/4-28 UNF	
R ₁	21.5	mm
R _α	45	°

Grease fitting

D _N	6.5	mm
SW _N	7	mm
G _N	1/4-28 SAE-LT	

Dowel pins

J ₆	116	mm
J ₇	16	mm
N ₄	2	mm

Calculation data

Basic dynamic load rating	C	30.7	kN
Basic static load rating	C	19	kN
Fatigue load limit	P _u	0.8	kN
Limiting speed		4800	r/min

(with shaft tolerance h6)

Mass

Mass bearing unit	1.5	kg
-------------------	-----	----

Mounting information

Thread grub screw	G ₂	M8x1	
Hexagonal key size for grub screw	N	4	mm
Recommended tightening torque for grub screw		6.5	N·m
Recommended diameter for attachment bolts, mm	G	14	mm
Recommended diameter for attachment bolts, inch	G	0.5625	in

Included products

Housing	FYTJ 508
Bearing	YAR 208-2F