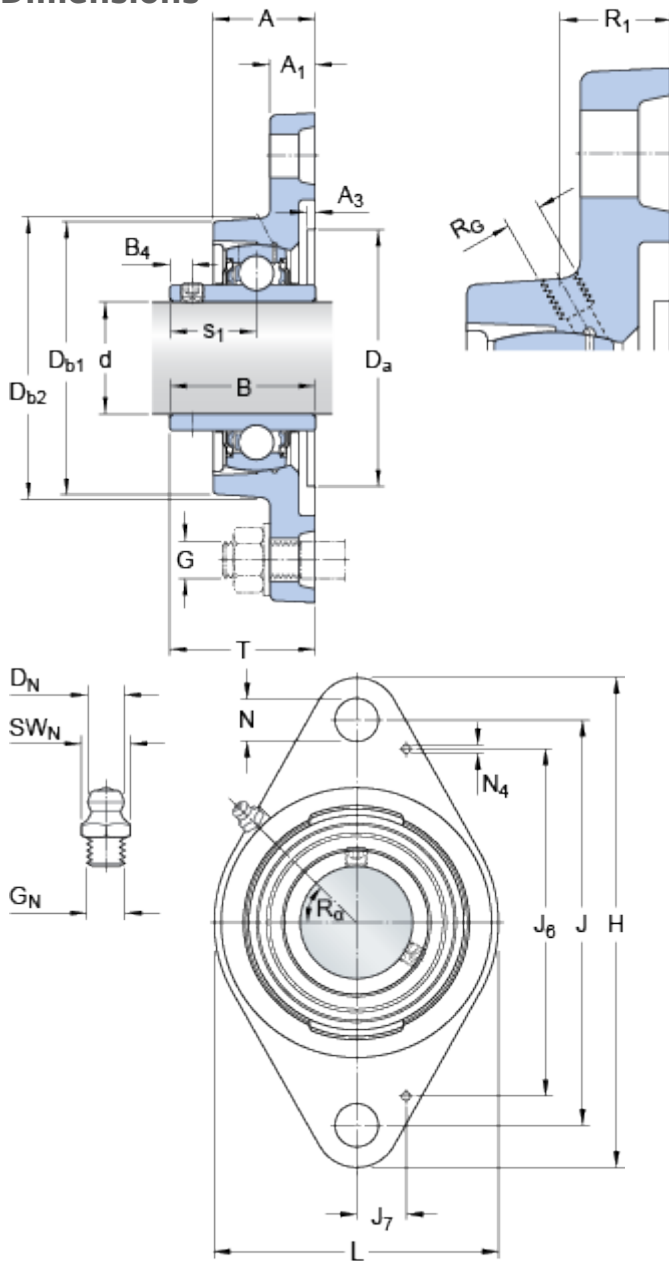


FYTJ 20 TF

Housing material

Cast iron

Dimensions



d	20	mm
D _a	H11 50.8	mm
D _{b1}	58	mm
D _{b2}	60	mm
A	25.5	mm
A ₁	12	mm
A ₃	H14 3.2	mm
B	31	mm
B ₄	4.5	mm
J	90	mm
H	112	mm
L	60	mm
N	12	mm
s ₁	18.3	mm
T	33.3	mm

Threaded hole

R _G	1/4-28 UNF
R ₁	16.5 mm
R _α	45 °

Grease fitting

D _N	6.5 mm
SW _N	7 mm
G _N	1/4-28 SAE-LT

Dowel pins

J ₆	74 mm
J ₇	11.5 mm
N ₄	2 mm

Calculation data

Basic dynamic load rating	C	12.7	kN
Basic static load rating	C	6.55	kN
Fatigue load limit	P _u	0.28	kN
Limiting speed		8500	r/min

(with shaft tolerance h6)

Mass

Mass bearing unit	0.42	kg
-------------------	------	----

Mounting information

Thread grub screw	G ₂	M6x0.75
Hexagonal key size for grub screw	N	3 mm
Recommended tightening torque for grub screw		4 N·m
Recommended diameter for attachment bolts, mm	G	10 mm
Recommended diameter for attachment bolts, inch	G	0.375 in

Included products

Housing	FYTJ 504
Bearing	YAR 204-2F