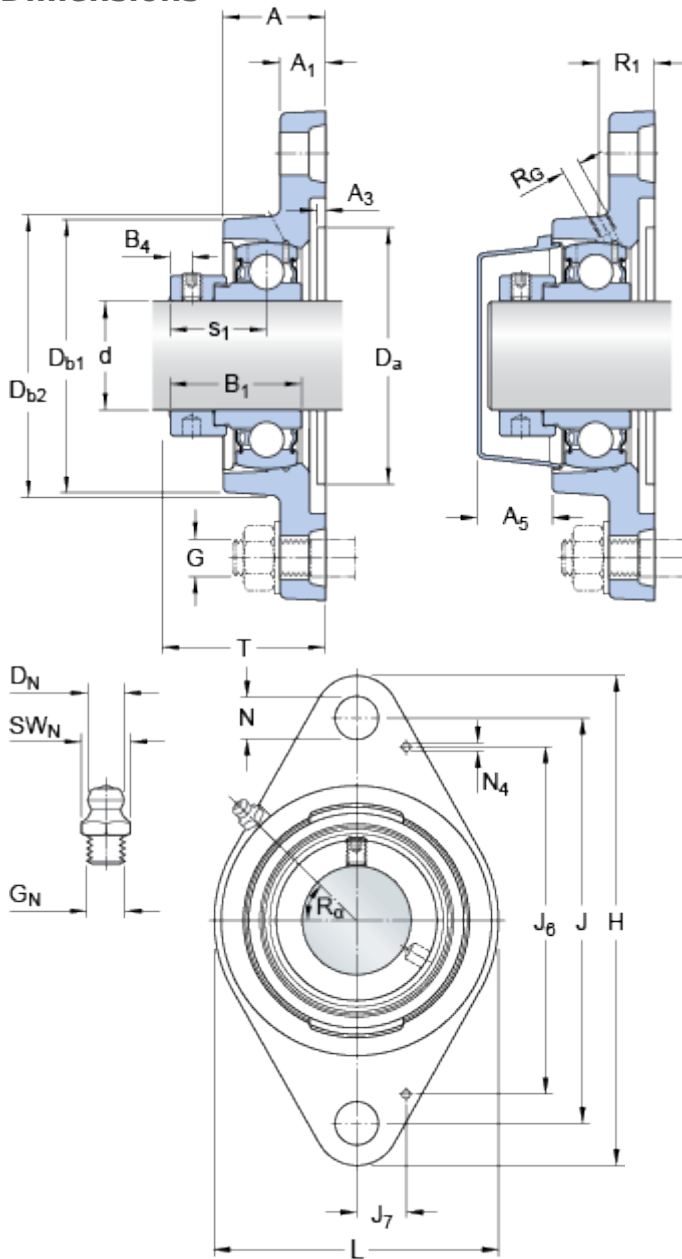


FYTB 50 FM

Housing material

Cast iron

Dimensions



d		50	mm
D _a	H11	101.6	mm
D _{b1}		107	mm
D _{b2}		116	mm
A		43	mm
A ₁		15	mm
A ₃	H14	3.2	mm
A ₅		29.5	mm
B ₁		43.7	mm
B ₄		6.75	mm
J		157	mm
H		189	mm
L		116	mm
N		18	mm
s ₁		32.7	mm
T		60.7	mm

Threaded hole

R _G		1/4-28 UNF	
R ₁		28.5	mm
R _α		45	°

Grease fitting

D _N		6.5	mm
SW _N		7	mm
G _N		1/4-28 SAE-LT	

Dowel pins

J ₆		127	mm
J ₇		20	mm
N ₄		2	mm

Calculation data

Basic dynamic load rating	C	35.1	kN
Basic static load rating	C	23.2	kN
Fatigue load limit	P _u	0.98	kN

Limiting speed	4000	r/min
(with shaft tolerance h6)		

Mass

Mass bearing unit	2	kg
-------------------	---	----

Mounting information

Thread grub screw	G ₂	M10x1
Hexagonal key size for grub screw	N	5 mm
Recommended tightening torque for grub screw		16.5 N·m
Recommended diameter for attachment bolts, mm	G	16 mm
Recommended diameter for attachment bolts, inch	G	0.625 in

Included products

Housing	FYTB 510 M
Bearing	YET 210

Associated products

End cover	ECY 210
-----------	-------------------------