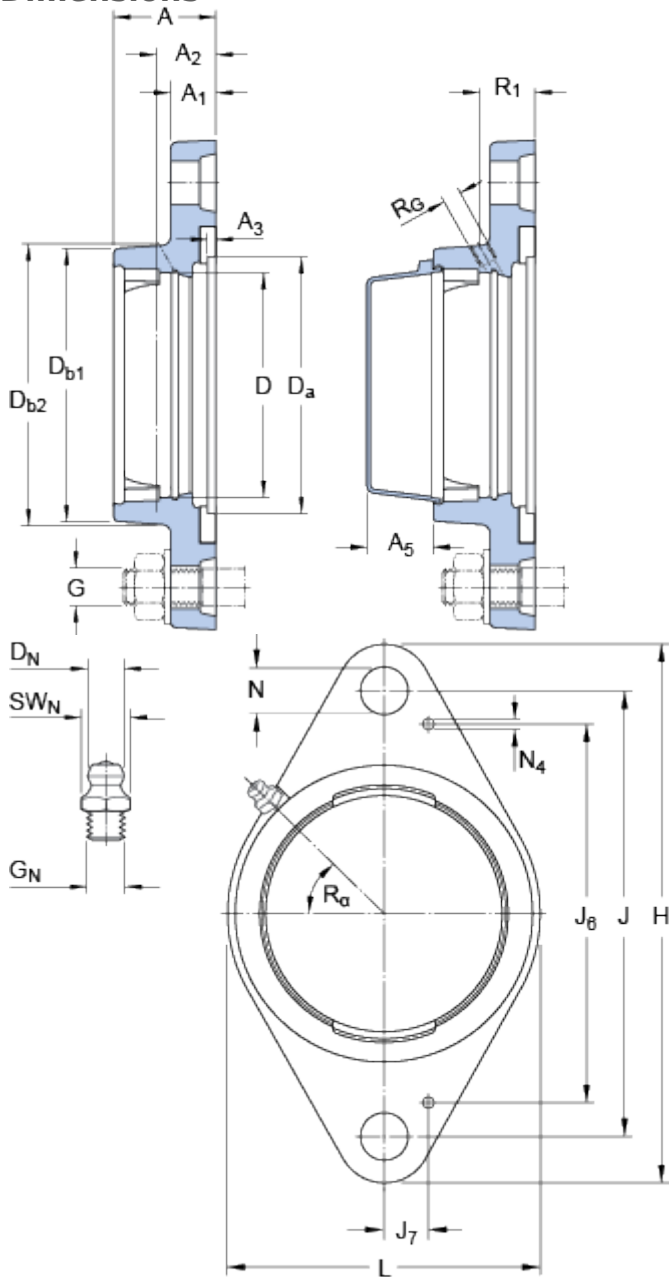


FYTB 504 M

Dimensions



D		47	mm
D _a	H11	50.8	mm
D _{b1}		58	mm
D _{b2}		60.5	mm
A		29.5	mm
A ₁		11	mm
A ₂		19	mm
A ₃	H14	3.2	mm
A ₅		18.5	mm
J		90	mm
H		112	mm
L		60.5	mm
N		11.5	mm

Threaded hole

R _G		1/4-28 UNF	
R ₁		20	mm
R _α		45	°

Grease fitting

D _N		6.5	mm
SW _N		7	mm
G _N		1/4-28 SAE-LT	

Dowel pins

J ₆		74	mm
J ₇		11.5	mm
N ₄		2	mm

Mass

Mass housing	0.29	kg
--------------	------	----

Mounting information

Recommended diameter for attachment bolts, mm	G	10	mm
Recommended diameter for attachment bolts, inch	G	0.375	in

Appropriate products

End cover	ECY 204
-----------	---------

