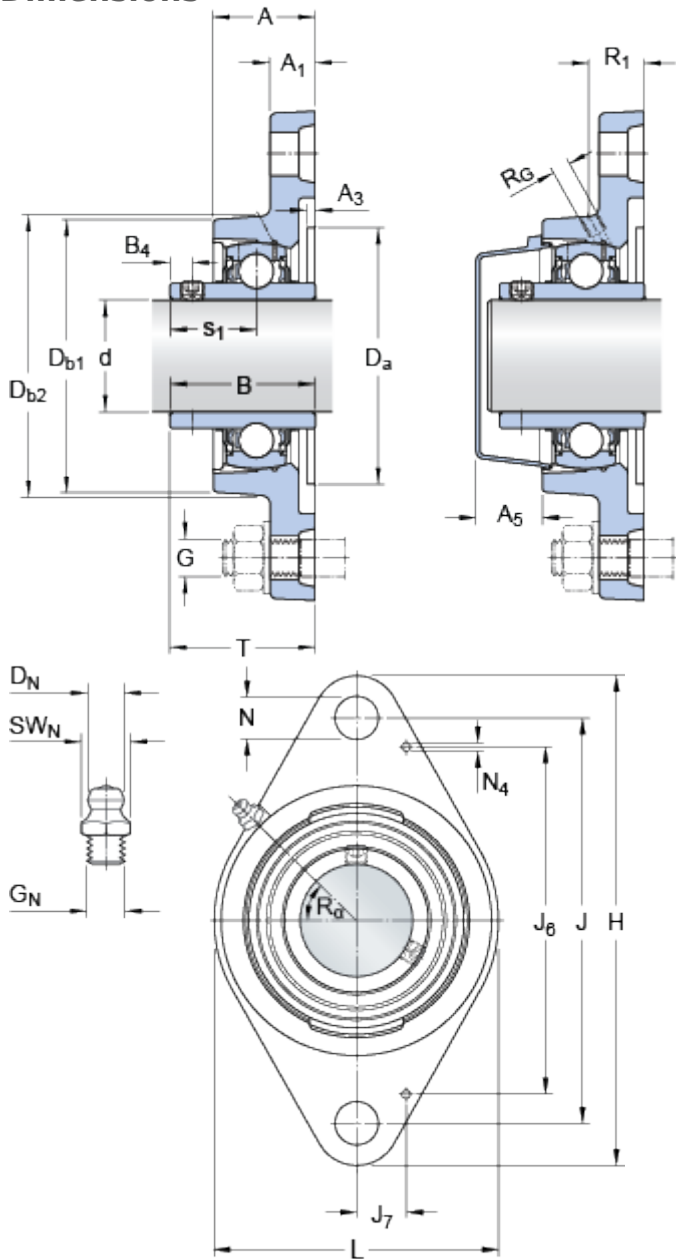


FYTB 40 TF

Housing material

Cast iron

Dimensions



d	40	mm
D _a	H11 88.9	mm
D _{b1}	98	mm
D _{b2}	102	mm
A	38.5	mm
A ₁	14	mm
A ₃	H14 3.2	mm
A ₅	23.5	mm
B	49.2	mm
B ₄	8	mm
J	143.5	mm
H	171.5	mm
L	102	mm
N	14	mm
s ₁	30.2	mm
T	54.2	mm

Threaded hole

R _G	1/4-28 UNF
R ₁	24.5 mm
R _α	45 °

Grease fitting

D _N	6.5 mm
SW _N	7 mm
G _N	1/4-28 SAE-LT

Dowel pins

J ₆	115.5 mm
J ₇	16 mm
N ₄	2 mm

Calculation data

Basic dynamic load rating	C	30.7	kN
Basic static load rating	C	19	kN
Fatigue load limit	P _u	0.8	kN

Limiting speed	4800	r/min
(with shaft tolerance h6)		

Mass

Mass bearing unit	1.5	kg
-------------------	-----	----

Mounting information

Thread grub screw	G ₂	M8x1
Hexagonal key size for grub screw	N	4 mm
Recommended tightening torque for grub screw		6.5 N·m
Recommended diameter for attachment bolts, mm	G	12 mm
Recommended diameter for attachment bolts, inch	G	0.5 in

Included products

Housing	FYTB 508 M
Bearing	YAR 208-2F

Associated products

End cover	ECY 208
-----------	-------------------------