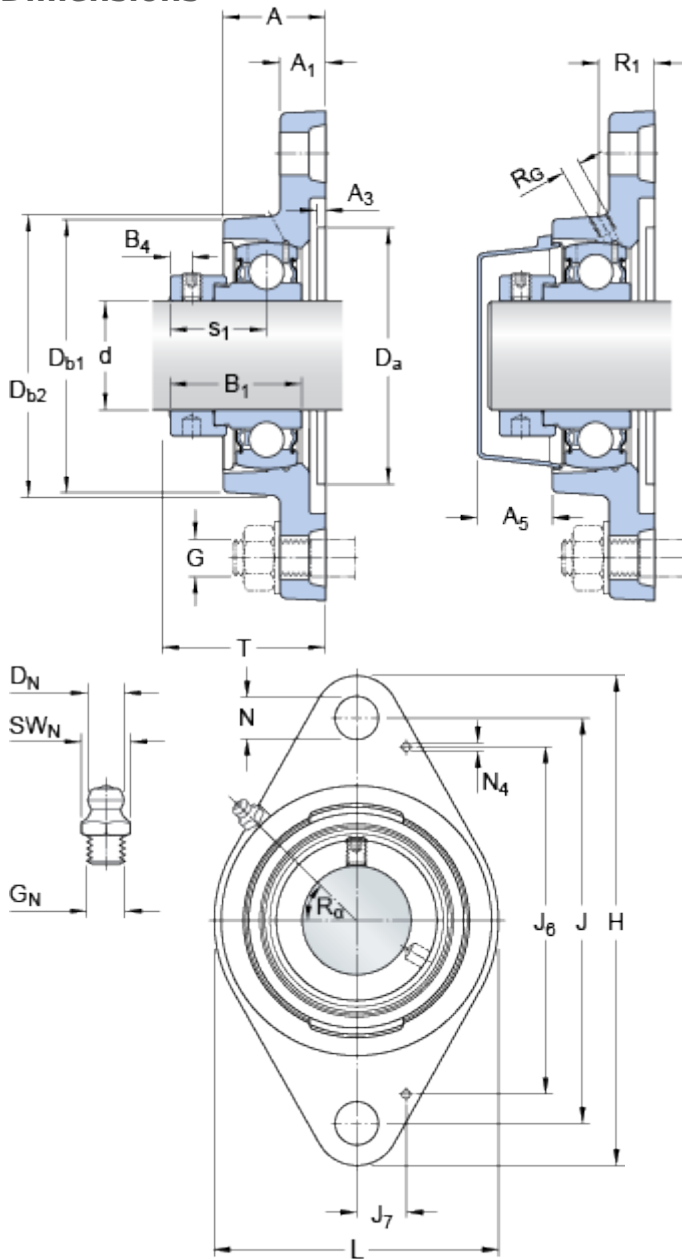


# FYTB 40 FM

Housing material

Cast iron

## Dimensions



d		40	mm
D <sub>a</sub>	H11	88.9	mm
D <sub>b1</sub>		98	mm
D <sub>b2</sub>		102	mm
A		38.5	mm
A <sub>1</sub>		14	mm
A <sub>3</sub>	H14	3.2	mm
A <sub>5</sub>		23.5	mm
B <sub>1</sub>		43.7	mm
B <sub>4</sub>		6.75	mm
J		143.5	mm
H		171.5	mm
L		102	mm
N		14	mm
s <sub>1</sub>		33.2	mm
T		57.2	mm

### Threaded hole

R <sub>G</sub>		1/4-28 UNF	
R <sub>1</sub>		24.5	mm
R <sub>α</sub>		45	°

### Grease fitting

D <sub>N</sub>		6.5	mm
SW <sub>N</sub>		7	mm
G <sub>N</sub>		1/4-28 SAE-LT	

### Dowel pins

J <sub>6</sub>		115.5	mm
J <sub>7</sub>		16	mm
N <sub>4</sub>		2	mm

## Calculation data

Basic dynamic load rating	C	30.7	kN
Basic static load rating	C	19	kN
Fatigue load limit	P <sub>u</sub>	0.8	kN

Limiting speed	4800	r/min
(with shaft tolerance h6)		

## Mass

Mass bearing unit	1.55	kg
-------------------	------	----

## Mounting information

Thread grub screw	G <sub>2</sub>	M10x1
Hexagonal key size for grub screw	N	5 mm
Recommended tightening torque for grub screw		16.5 N·m
Recommended diameter for attachment bolts, mm	G	12 mm
Recommended diameter for attachment bolts, inch	G	0.5 in

## Included products

Housing	<a href="#">FYTB 508 M</a>
Bearing	<a href="#">YET 208</a>

## Associated products

End cover	<a href="#">ECY 208</a>
-----------	-------------------------