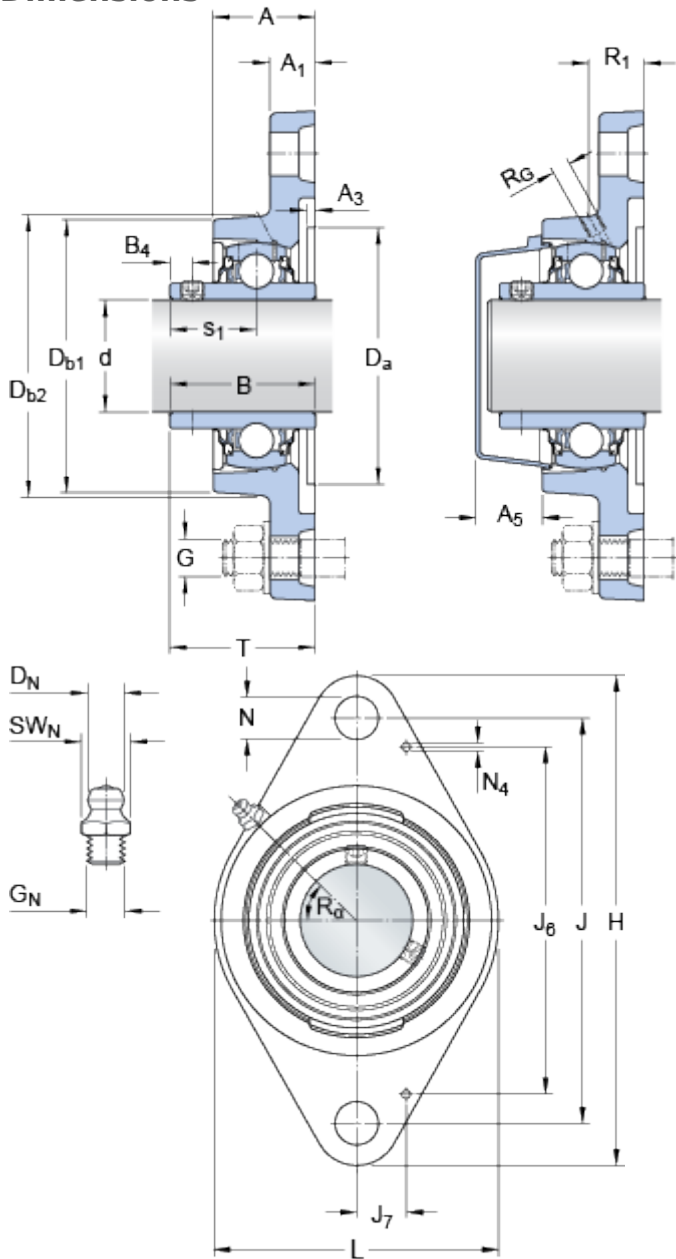


FYTB 30 TR

Housing material

Cast iron

Dimensions



d		30	mm
D _a	H11	76.2	mm
D _{b1}		77	mm
D _{b2}		83	mm
A		32.5	mm
A ₁		13	mm
A ₃	H14	3.2	mm
A ₅		20	mm
B		38.1	mm
B ₄		5	mm
J		116.5	mm
H		141.5	mm
L		83	mm
N		11.5	mm
s ₁		22.2	mm
T		42.2	mm

Threaded hole

R _G		1/4-28 UNF	
R ₁		21	mm
R _α		45	°

Grease fitting

D _N		6.5	mm
SW _N		7	mm
G _N		1/4-28 SAE-LT	

Dowel pins

J ₆		98.5	mm
J ₇		12.5	mm
N ₄		2	mm

Calculation data

Basic dynamic load rating	C	19.5	kN
Basic static load rating	C	11.2	kN
Fatigue load limit	P _u	0.475	kN

Limiting speed	3800	r/min
(with shaft tolerance h6)		

Mass

Mass bearing unit	0.84	kg
-------------------	------	----

Mounting information

Thread grub screw	G ₂	M6x0.75
Hexagonal key size for grub screw	N	3 mm
Recommended tightening torque for grub screw		4 N·m
Recommended diameter for attachment bolts, mm	G	10 mm
Recommended diameter for attachment bolts, inch	G	0.375 in

Included products

Housing	FYTB 506 M
Bearing	YAR 206-2RF

Associated products

End cover	ECY 206
-----------	-------------------------