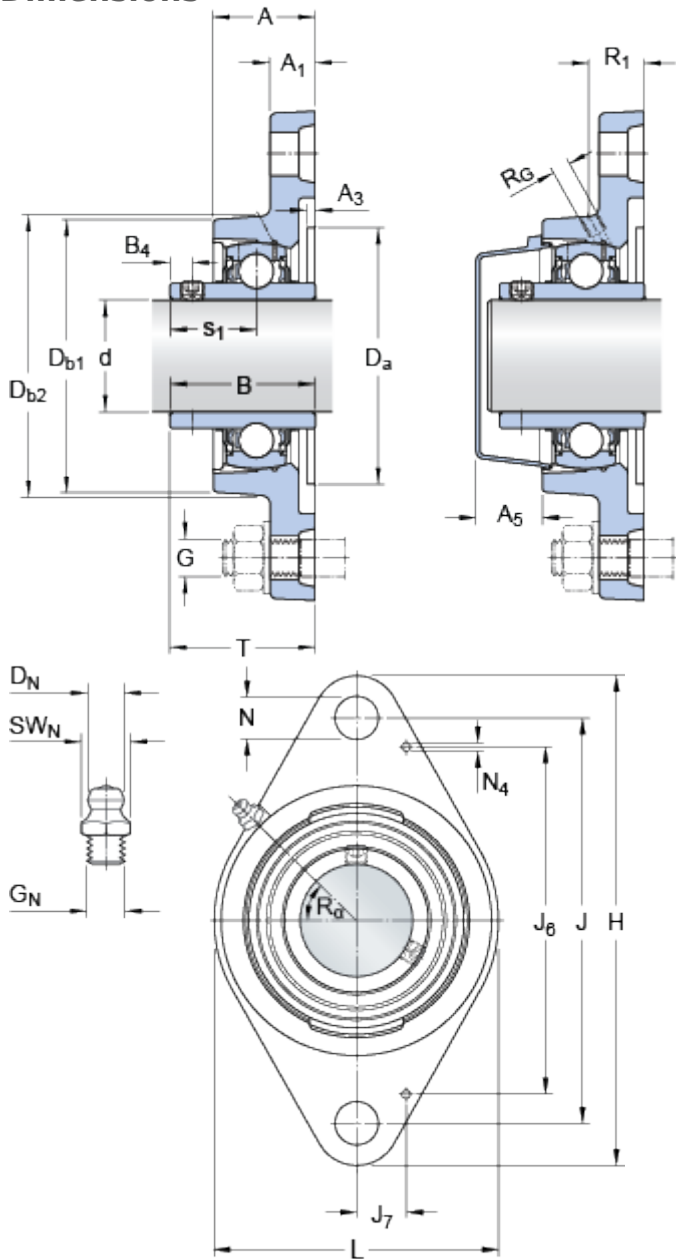


FYTB 25 TF

Housing material

Cast iron

Dimensions



d	25	mm
D _a	H11 63.5	mm
D _{b1}	65	mm
D _{b2}	70	mm
A	30	mm
A ₁	12	mm
A ₃	H14 3.2	mm
A ₅	18	mm
B	34.1	mm
B ₄	5	mm
J	99	mm
H	124	mm
L	70	mm
N	11.5	mm
s ₁	19.8	mm
T	38.8	mm

Threaded hole

R _G	1/4-28 UNF
R ₁	20.5 mm
R _α	45 °

Grease fitting

D _N	6.5 mm
SW _N	7 mm
G _N	1/4-28 SAE-LT

Dowel pins

J ₆	81 mm
J ₇	12 mm
N ₄	2 mm

Calculation data

Basic dynamic load rating	C	14	kN
Basic static load rating	C	7.8	kN
Fatigue load limit	P _u	0.335	kN

Limiting speed	7000	r/min
(with shaft tolerance h6)		

Mass

Mass bearing unit	0.56	kg
-------------------	------	----

Mounting information

Thread grub screw	G ₂	M6x0.75
Hexagonal key size for grub screw	N	3 mm
Recommended tightening torque for grub screw		4 N·m
Recommended diameter for attachment bolts, mm	G	10 mm
Recommended diameter for attachment bolts, inch	G	0.375 in

Included products

Housing	FYTB 505 M
Bearing	YAR 205-2F

Associated products

End cover	ECY 205
-----------	-------------------------