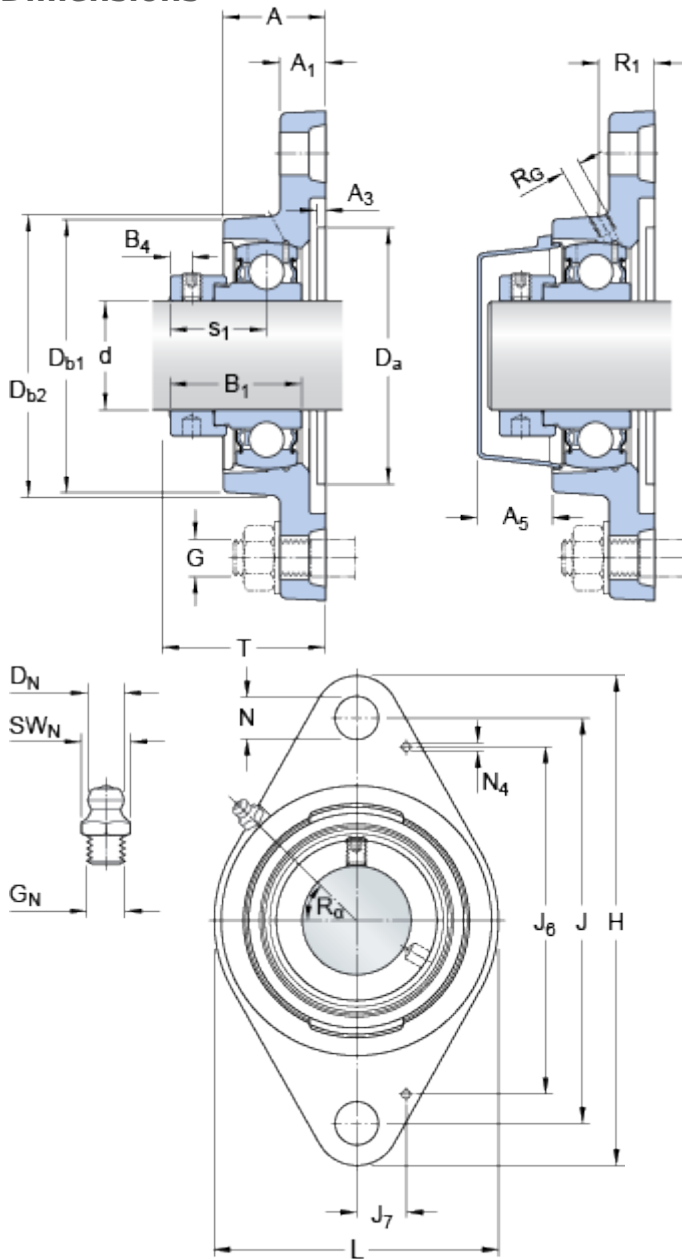


# FYTB 25 FM

Housing material

Cast iron

## Dimensions



d		25	mm
D <sub>a</sub>	H11	63.5	mm
D <sub>b1</sub>		65	mm
D <sub>b2</sub>		70	mm
A		30	mm
A <sub>1</sub>		12	mm
A <sub>3</sub>	H14	3.2	mm
A <sub>5</sub>		18	mm
B <sub>1</sub>		31	mm
B <sub>4</sub>		4.75	mm
J		99	mm
H		124	mm
L		70	mm
N		11.5	mm
s <sub>1</sub>		23.5	mm
T		42.5	mm

### Threaded hole

R <sub>G</sub>		1/4-28 UNF	
R <sub>1</sub>		20.5	mm
R <sub>α</sub>		45	°

### Grease fitting

D <sub>N</sub>		6.5	mm
SW <sub>N</sub>		7	mm
G <sub>N</sub>		1/4-28 SAE-LT	

### Dowel pins

J <sub>6</sub>		81	mm
J <sub>7</sub>		12	mm
N <sub>4</sub>		2	mm

## Calculation data

Basic dynamic load rating	C	14	kN
Basic static load rating	C	7.8	kN
Fatigue load limit	P <sub>u</sub>	0.335	kN

Limiting speed	7000	r/min
(with shaft tolerance h6)		

## Mass

Mass bearing unit	0.57	kg
-------------------	------	----

## Mounting information

Thread grub screw	G <sub>2</sub>	M6x0.75	
Hexagonal key size for grub screw	N	3	mm
Recommended tightening torque for grub screw		4	N·m
Recommended diameter for attachment bolts, mm	G	10	mm
Recommended diameter for attachment bolts, inch	G	0.375	in

## Included products

Housing	<a href="#">FYTB 505 M</a>
Bearing	<a href="#">YET 205</a>

## Associated products

End cover	<a href="#">ECY 205</a>
-----------	-------------------------