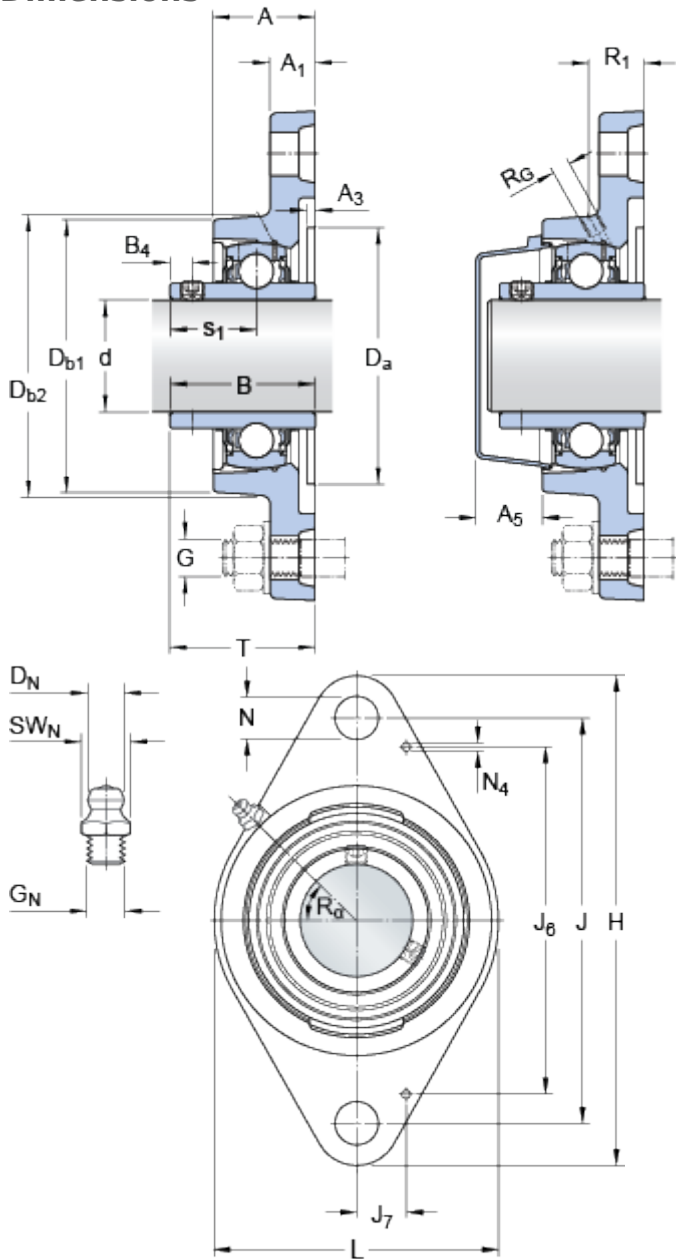


FYTB 20 TF

Housing material

Cast iron

Dimensions



d		20	mm
D _a	H11	50.8	mm
D _{b1}		58	mm
D _{b2}		60.5	mm
A		29.5	mm
A ₁		11	mm
A ₃	H14	3.2	mm
A ₅		18.5	mm
B		31	mm
B ₄		4.5	mm
J		90	mm
H		112	mm
L		60.5	mm
N		11.5	mm
s ₁		18.3	mm
T		37.3	mm

Threaded hole

R_G 1/4-28 UNF

R₁ 20 mm

R_α 45 °

Grease fitting

D_N 6.5 mm

SW_N 7 mm

G_N 1/4-28 SAE-LT

Dowel pins

J₆ 74 mm

J₇ 11.5 mm

N₄ 2 mm

Calculation data

Basic dynamic load rating

C 12.7 kN

Basic static load rating

C 6.55 kN

Fatigue load limit

P_u 0.28 kN

Limiting speed	8500	r/min
(with shaft tolerance h6)		

Mass

Mass bearing unit	0.43	kg
-------------------	------	----

Mounting information

Thread grub screw	G ₂	M6x0.75
Hexagonal key size for grub screw	N	3 mm
Recommended tightening torque for grub screw		4 N·m
Recommended diameter for attachment bolts, mm	G	10 mm
Recommended diameter for attachment bolts, inch	G	0.375 in

Included products

Housing	FYTB 504 M
Bearing	YAR 204-2F

Associated products

End cover	ECY 204
-----------	-------------------------