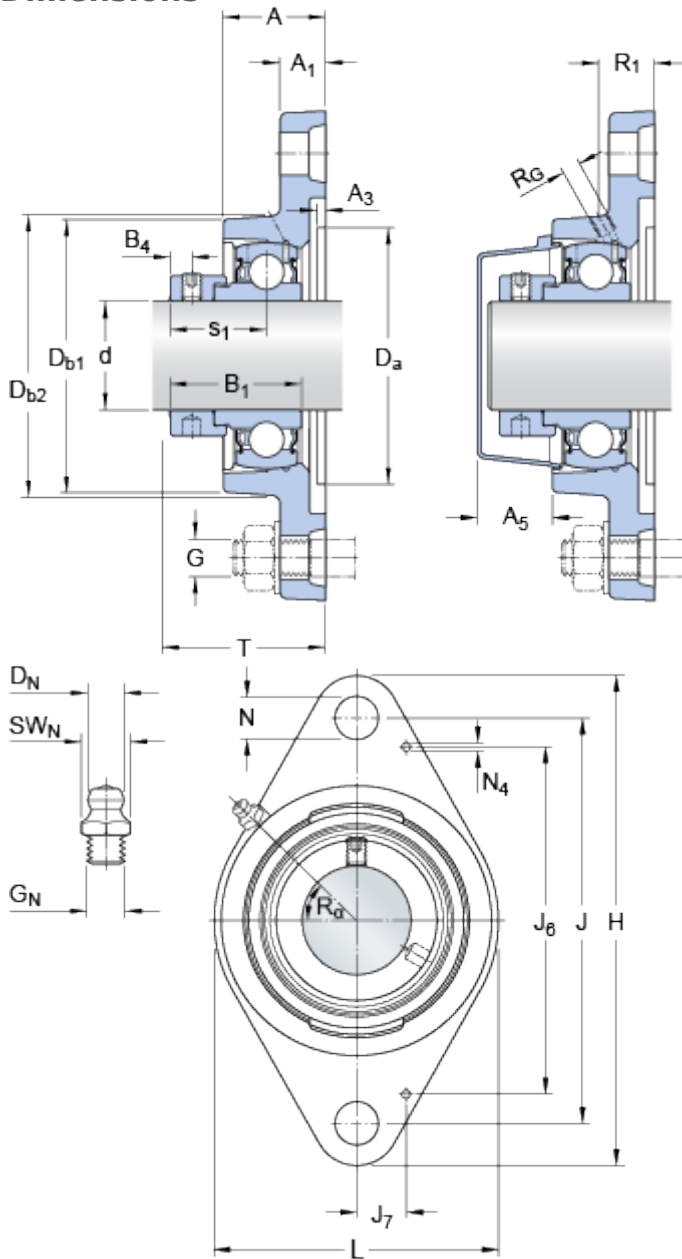


FYTB 20 FM

Housing material

Cast iron

Dimensions



d		20	mm
D _a	H11	50.8	mm
D _{b1}		58	mm
D _{b2}		60.5	mm
A		29.5	mm
A ₁		11	mm
A ₃	H14	3.2	mm
A ₅		18.5	mm
B ₁		31	mm
B ₄		4.75	mm
J		90	mm
H		112	mm
L		60.5	mm
N		11.5	mm
s ₁		24	mm
T		43	mm

Threaded hole

R _G		1/4-28 UNF	
R ₁		20	mm
R _α		45	°

Grease fitting

D _N		6.5	mm
SW _N		7	mm
G _N		1/4-28 SAE-LT	

Dowel pins

J ₆		74	mm
J ₇		11.5	mm
N ₄		2	mm

Calculation data

Basic dynamic load rating	C	12.7	kN
Basic static load rating	C	6.55	kN
Fatigue load limit	P _u	0.28	kN

Limiting speed	8500	r/min
(with shaft tolerance h6)		

Mass

Mass bearing unit	0.47	kg
-------------------	------	----

Mounting information

Thread grub screw	G ₂	M6x0.75
Hexagonal key size for grub screw	N	3 mm
Recommended tightening torque for grub screw		4 N·m
Recommended diameter for attachment bolts, mm	G	10 mm
Recommended diameter for attachment bolts, inch	G	0.375 in

Included products

Housing	FYTB 504 M
Bearing	YET 204

Associated products

End cover	ECY 204
-----------	-------------------------