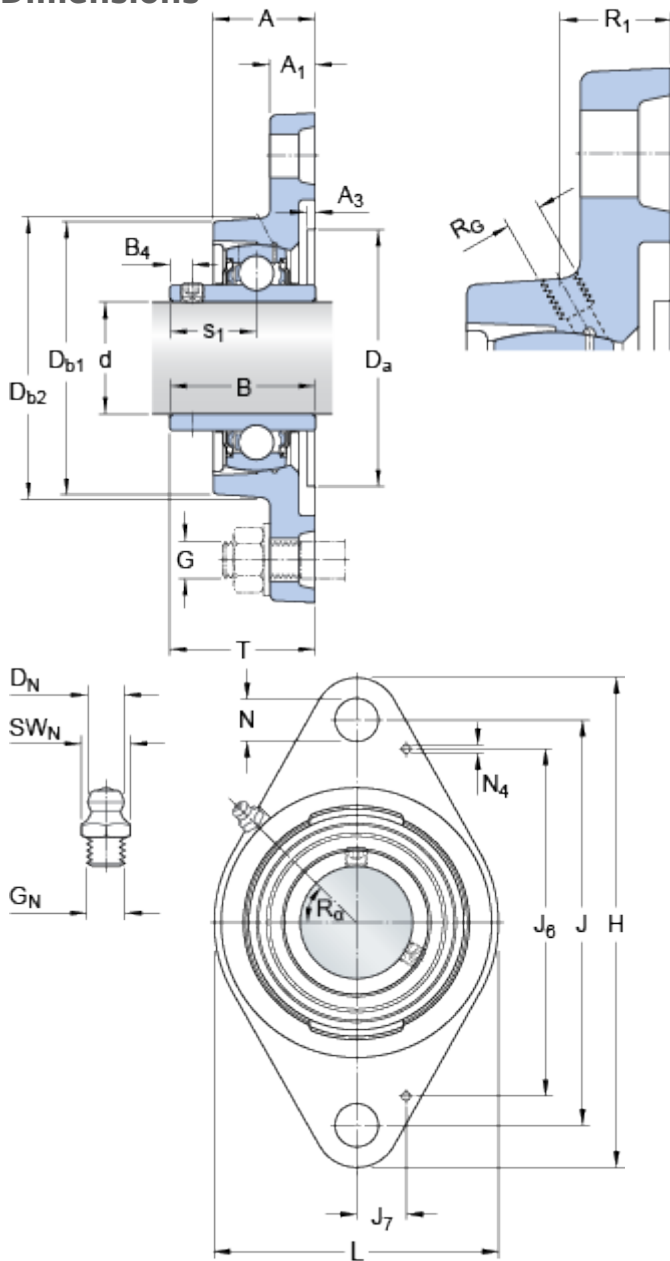


FYTB 15 TF

Housing material

Cast iron

Dimensions



d	15	mm
D _a	H11 50.8	mm
D _{b1}	50	mm
D _{b2}	57	mm
A	26	mm
A ₁	11	mm
A ₃	H14 3.2	mm
B	27.4	mm
B ₄	4	mm
J	76.5	mm
H	98.5	mm
L	57	mm
N	11.5	mm
s ₁	15.9	mm
T	32.9	mm

Threaded hole

R _G	1/4-28 UNF
R ₁	19 mm
R _α	45 °

Grease fitting

D _N	6.5	mm
SW _N	7	mm
G _N	1/4-28 SAE-LT	

Dowel pins

J ₆	61.5	mm
J ₇	11	mm
N ₄	2	mm

Calculation data

Basic dynamic load rating	C	9.56	kN
Basic static load rating	C	4.75	kN
Fatigue load limit	P _u	0.2	kN
Limiting speed		9500	r/min

(with shaft tolerance h6)

Mass

Mass bearing unit	0.34	kg
-------------------	------	----

Mounting information

Thread grub screw	G ₂	M6x0.75
Hexagonal key size for grub screw	N	3 mm
Recommended tightening torque for grub screw		4 N·m
Recommended diameter for attachment bolts, mm	G	10 mm
Recommended diameter for attachment bolts, inch	G	0.375 in

Included products

Housing	FYTB 503 M
Bearing	YAR 203/15-2F