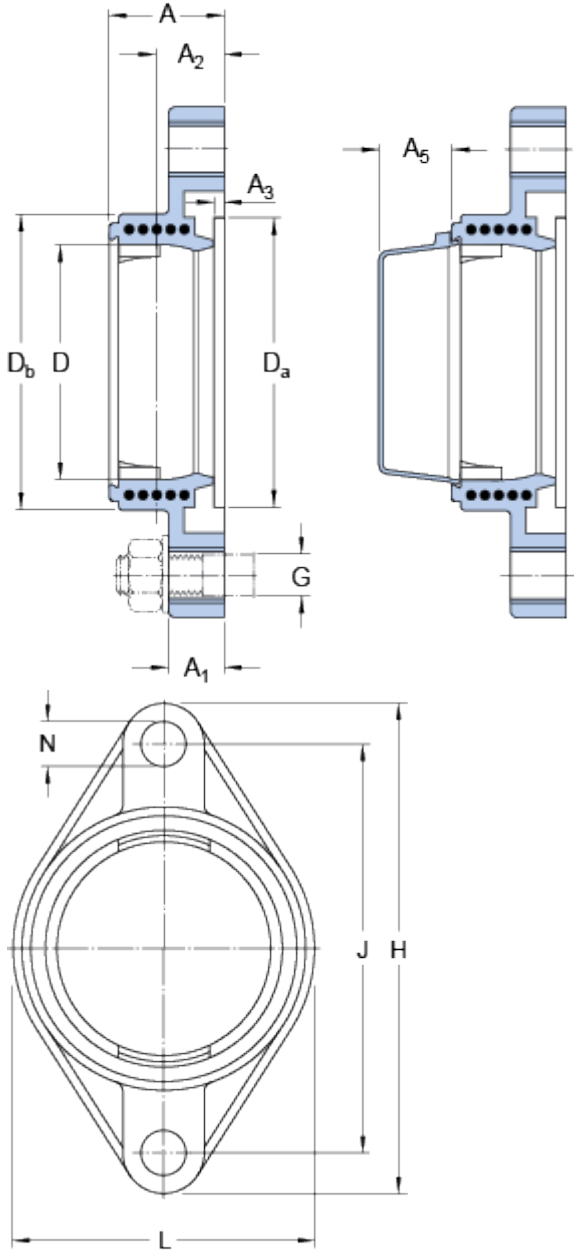


# FYTBK 506

## Dimensions



D		62	mm
D <sub>a</sub>	H11	76.2	mm
D <sub>b</sub>		78	mm
A		33	mm
A <sub>1</sub>		15	mm
A <sub>2</sub>		20	mm
A <sub>3</sub>	H14	3.2	mm
A <sub>5</sub>		20	mm
J		116.5	mm
H		142.5	mm
L		83	mm
N		12.3	mm

## Mass

Mass housing	0.14	kg
--------------	------	----

## Mounting information

Recommended diameter for attachment bolts, mm	G	10	mm
Recommended diameter for attachment bolts, inch	G	0.375	in

## Appropriate products

End cover	ECY 206
-----------	---------

