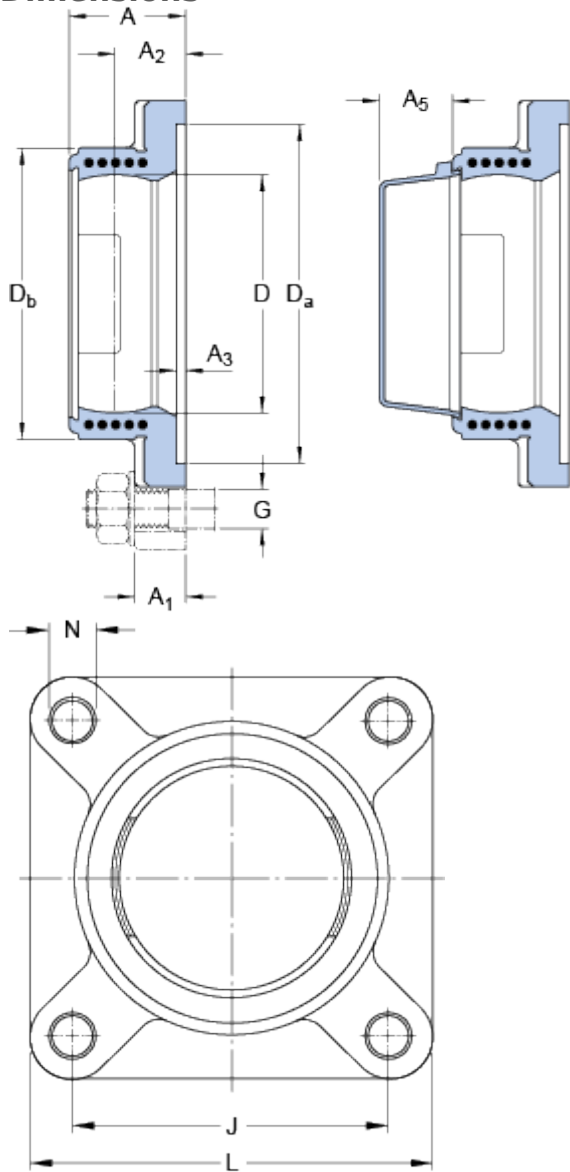


FYK 508

Dimensions



D		80	mm
D _a	H11	115.9	mm
D _b		98	mm
A		39	mm
A ₁		17	mm
A ₂		24	mm
A ₃	H14	3.2	mm
A ₅		23.5	mm
J		101.5	mm
L		130	mm
N		14.8	mm

Mass

Mass housing	0.29	kg
--------------	------	----

Mounting information

Recommended diameter for attachment bolts, mm	G	12	mm
Recommended diameter for attachment bolts, inch	G	0.5	in

Appropriate products

End cover	ECY 208
-----------	-------------------------