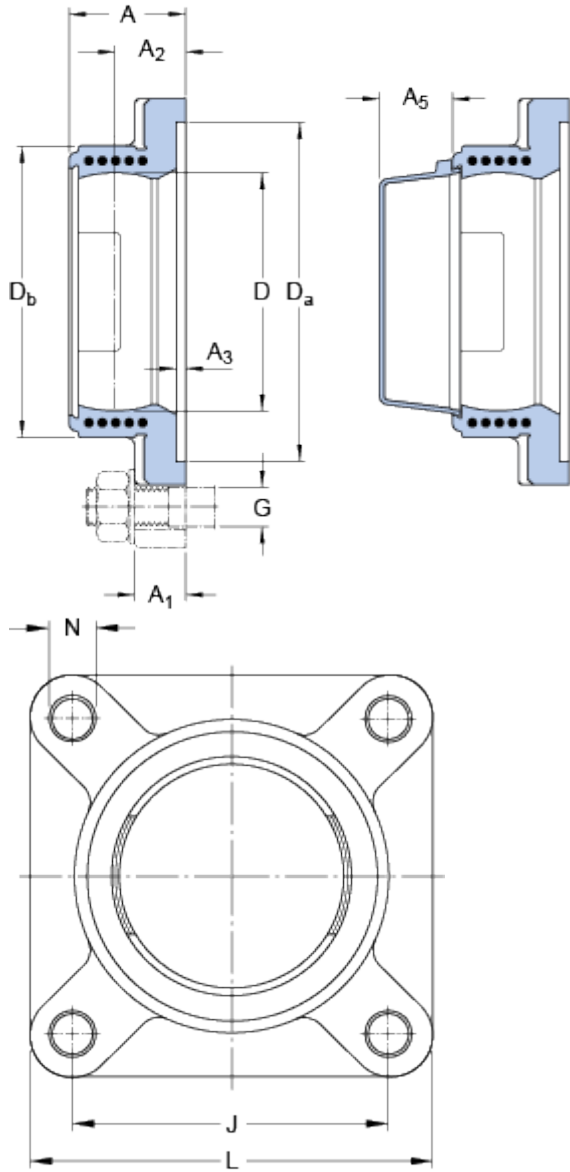


FYK 506

Dimensions



D		62	mm
D _a	H11	93.7	mm
D _b		78	mm
A		33	mm
A ₁		15.3	mm
A ₂		20	mm
A ₃	H14	3.2	mm
A ₅		20	mm
J		82.5	mm
L		108	mm
N		12.3	mm

Mass

Mass housing	0.2	kg
--------------	-----	----

Mounting information

Recommended diameter for attachment bolts, mm	G	10	mm
Recommended diameter for attachment bolts, inch	G	0.375	in

Appropriate products

End cover	ECY 206
-----------	-------------------------