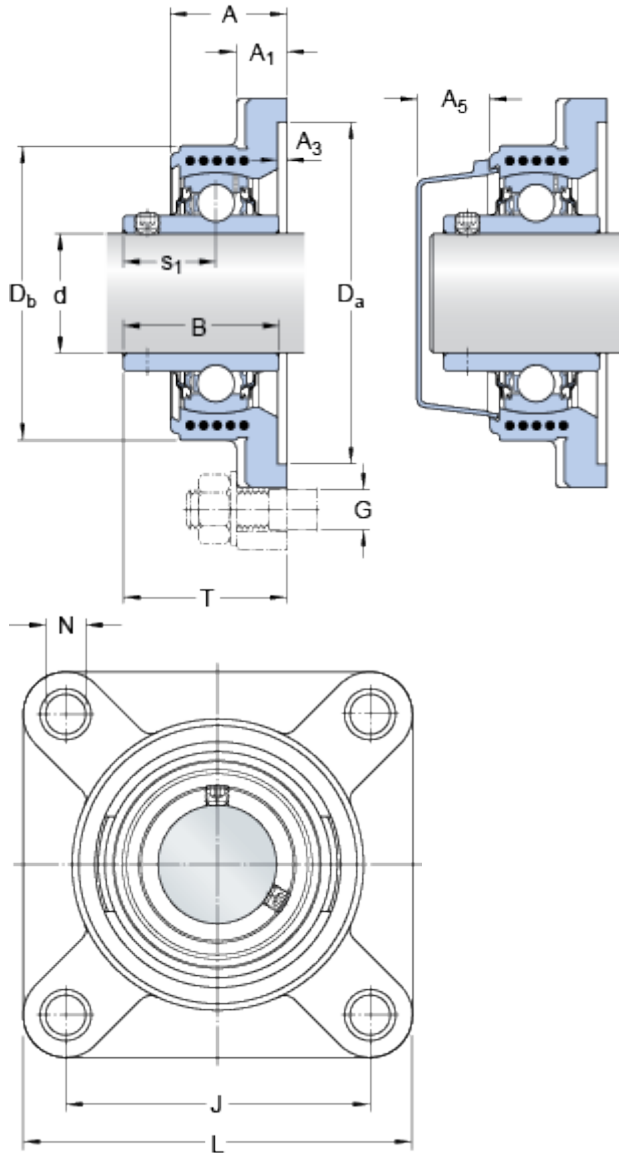


FYK 30 TR

Housing material

Composite

Dimensions



d		30	mm
D _a	H11	93.7	mm
D _b		78	mm
A		33	mm
A ₁		15.3	mm
A ₃	H14	3.2	mm
A ₅		20	mm
B		38.1	mm
J		82.5	mm
L		108	mm
N		12.3	mm
s ₁		22.2	mm
T		42.2	mm

Calculation data

Basic dynamic load rating	C	19.5	kN
Basic static load rating	C	11.2	kN
Fatigue load limit	P _u	0.475	kN
Limiting speed		3800	r/min

(with shaft tolerance h6)

Mass

Mass bearing unit		0.48	kg
-------------------	--	------	----

Mounting information

Thread grub screw	G ₂	M6x0.75	
Hexagonal key size for grub screw	N	3	mm
Recommended tightening torque for grub screw		4	N·m
Recommended diameter for attachment bolts, mm	G	10	mm

Recommended diameter for attachment bolts, inch

G 0.375 in

Included products

Housing

[FYK 506](#)

Bearing

[YAR 206-2RF](#)

Associated products

End cover

[ECY 206](#)