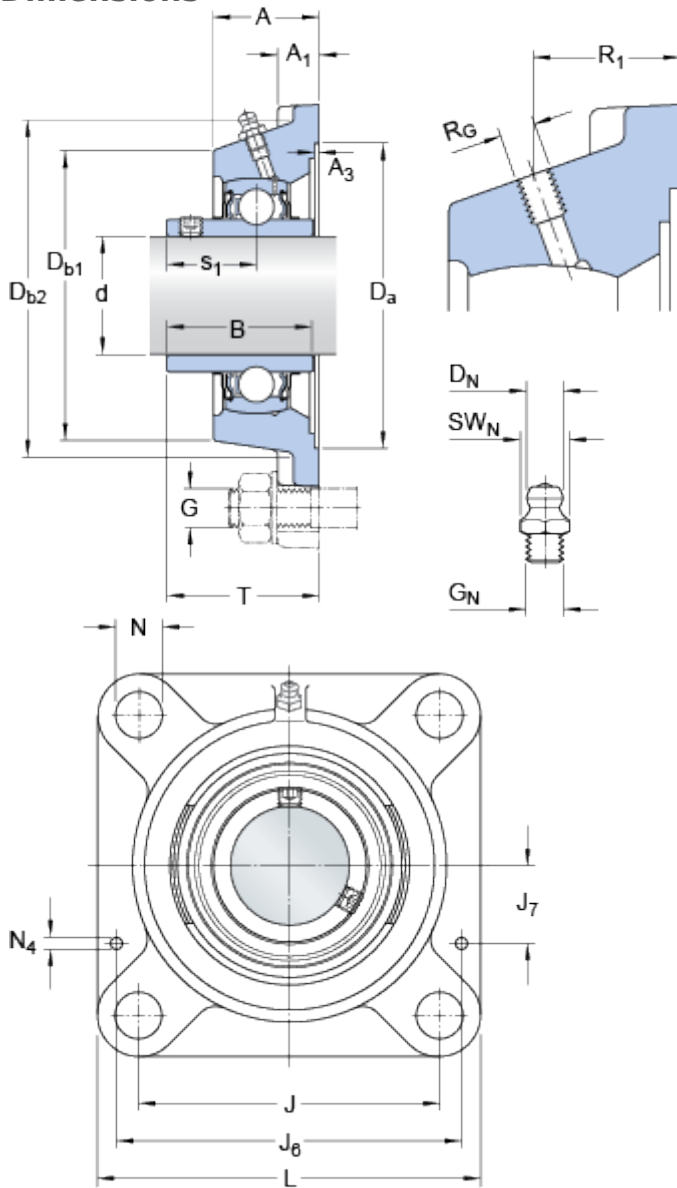


FYJ 80 TF

Housing material

Cast iron

Dimensions



d	80	mm
D _a	H11 179.4	mm
D _{b1}	162	mm
D _{b2}	171	mm
A	54.5	mm
A ₁	22	mm
A ₃	H14 3.2	mm
B	77.8	mm
J	165	mm
L	208	mm
N	23	mm
s ₁	47.6	mm
T	81.6	mm

Threaded hole

R _G	1/4-28 UNF
R ₁	34.5 mm

Grease fitting

D _N	6.5 mm
SW _N	7 mm
G _N	1/4-28 SAE-LT

Dowel pins

J ₆	184 mm
J ₇	51.5 mm
N ₄	4 mm

Calculation data

Basic dynamic load rating	C	72.8	kN
Basic static load rating	C	53	kN
Fatigue load limit	P _u	2.16	kN
Limiting speed (with shaft tolerance h6)		2400	r/min

Mass

Mass bearing unit	6.85	kg
-------------------	------	----

Mounting information

Thread grub screw	G ₂	M10x1	
Hexagonal key size for grub screw	N	5	mm
Recommended tightening torque for grub screw		16.5	N·m
Recommended diameter for attachment bolts, mm	G	20	mm
Recommended diameter for attachment bolts, inch	G	0.75	in

Included products

Housing	FYJ 516
Bearing	YAR 216-2F