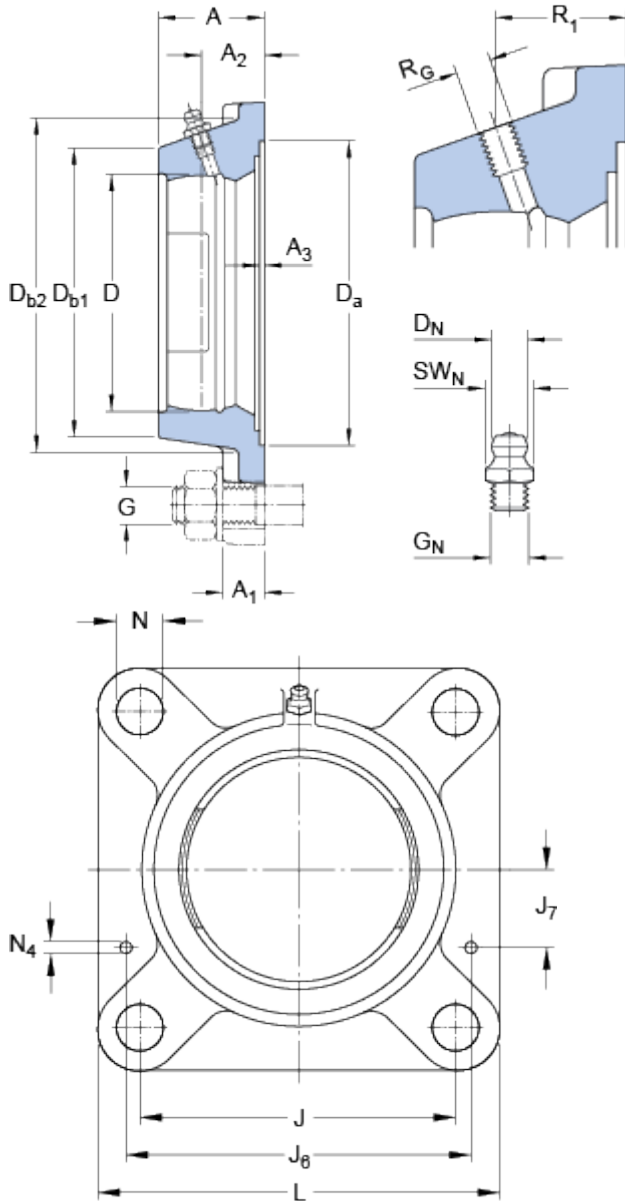


# FYJ 520

## Dimensions



D		180	mm
D <sub>a</sub>	H11	215.9	mm
D <sub>b1</sub>		207	mm
D <sub>b2</sub>		221	mm
A		70	mm
A <sub>1</sub>		25	mm
A <sub>2</sub>		44	mm
A <sub>3</sub>	H14	3.2	mm
J		210	mm
L		265	mm
N		27	mm

### Threaded hole

R <sub>G</sub>		1/4-28 UNF	
R <sub>1</sub>		43	mm

### Grease fitting

D <sub>N</sub>		6.5	mm
SW <sub>N</sub>		7	mm
G <sub>N</sub>		1/4-28 SAE-LT	

### Dowel pins

J <sub>6</sub>		233	mm
J <sub>7</sub>		55	mm
N <sub>4</sub>		4	mm

## Mass

Mass housing		8.4	kg
--------------	--	-----	----

## Mounting information

Recommended diameter for attachment bolts, mm	G	24	mm
Recommended diameter for attachment bolts, inch	G	0.9375	in